

Kubebooth Kme

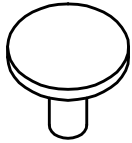
ASSEMBLY GUIDE



FS201 x16 - Self tapping screw for units corners assembly



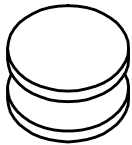
FS202 x48 - Self tapping screw for flat frame assembly



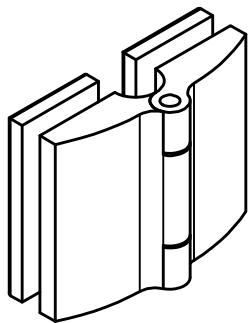
FS203 x28 - Stand-off cap M10 for glass assembly



FS205 x4 - Black M6 screw for flat frame (door side) assembly

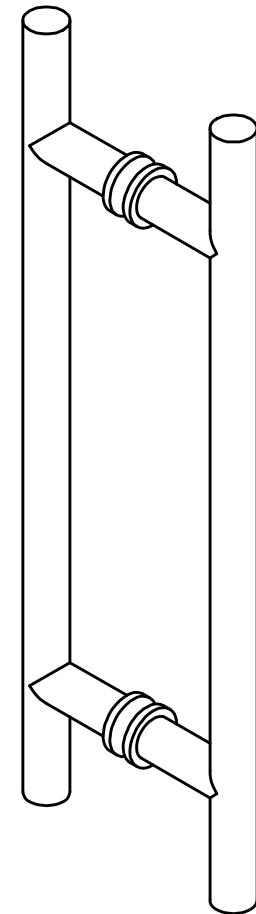


FS206 x2 - Door magnets set

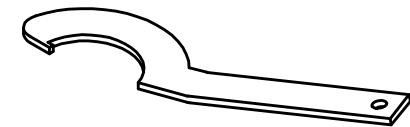


Door hinges x2

Door handle set x1

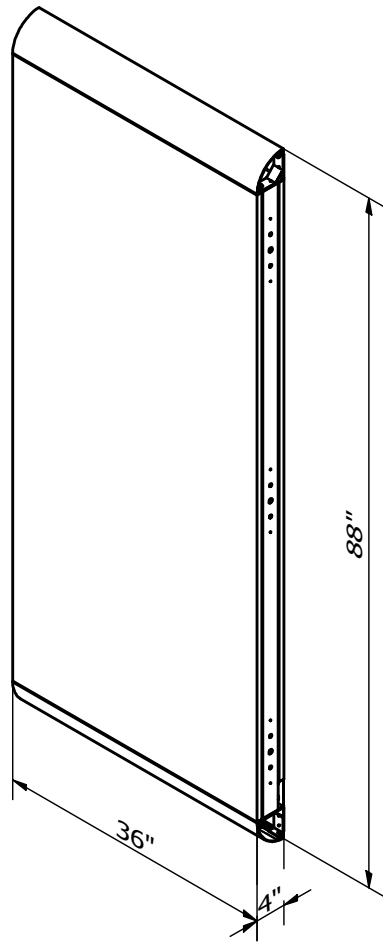


Stand-off cap key

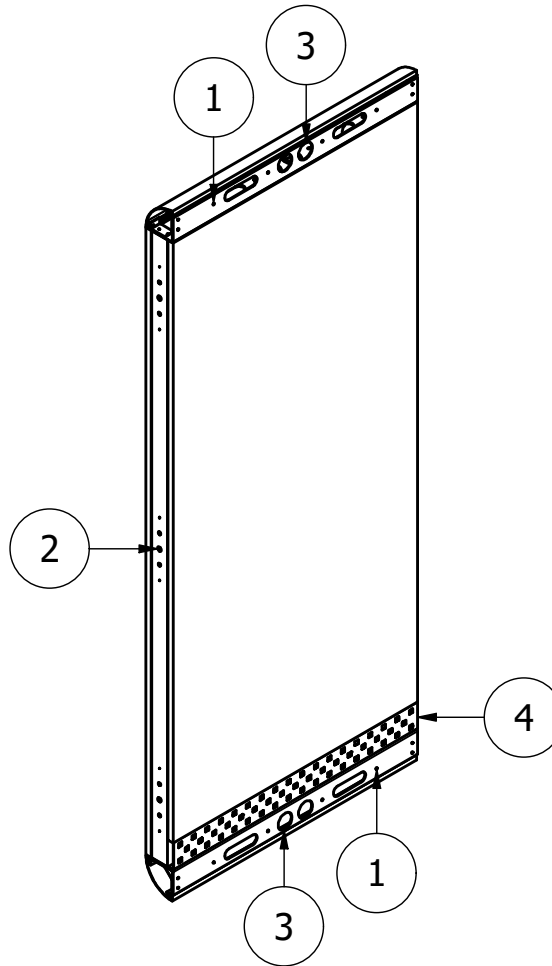


Kme_GU_P01

Outside View



Inside View



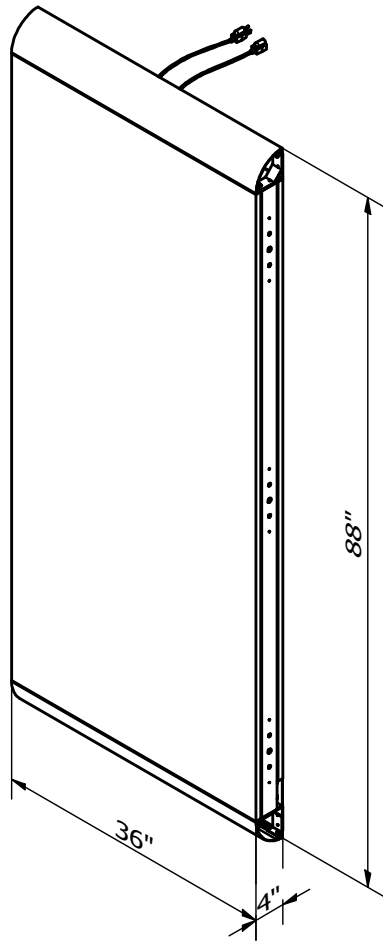
1. Holes for unit corners assembly

2. Holes for metal frame and glass/door assembly

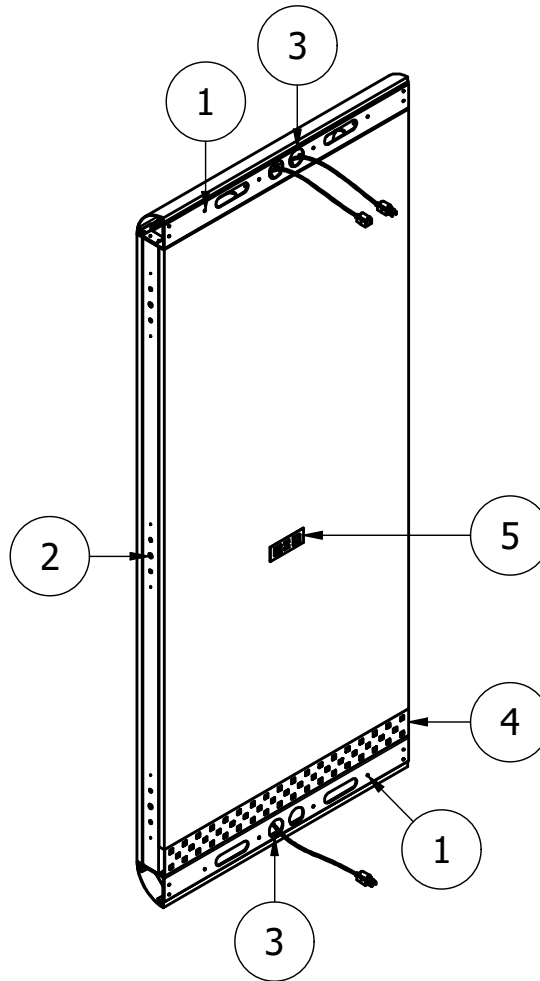
3. Cutouts for wiring

4. Airflow grill

Outside View



Inside View



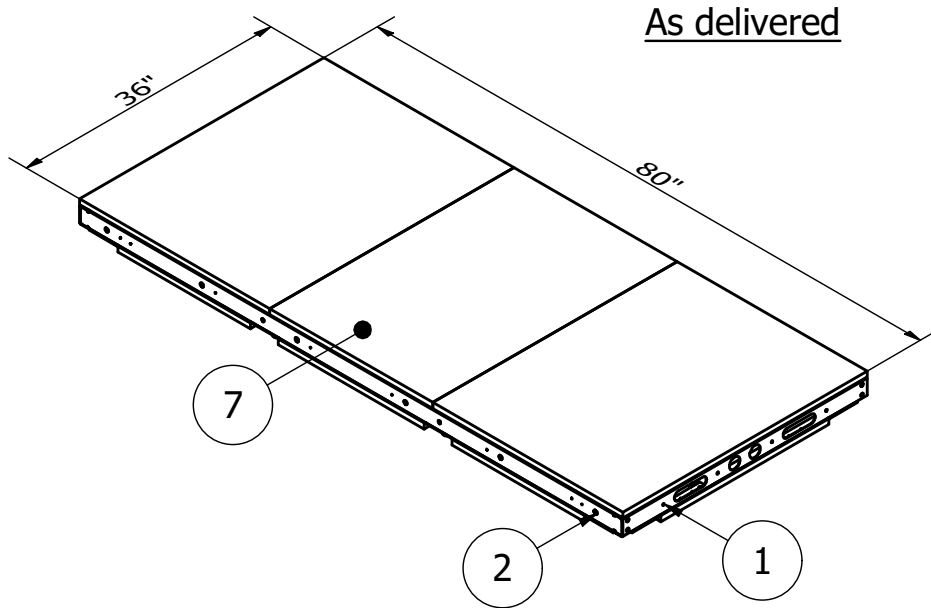
1. Holes for unit corners assembly

2. Holes for metal frame and glass/door assembly

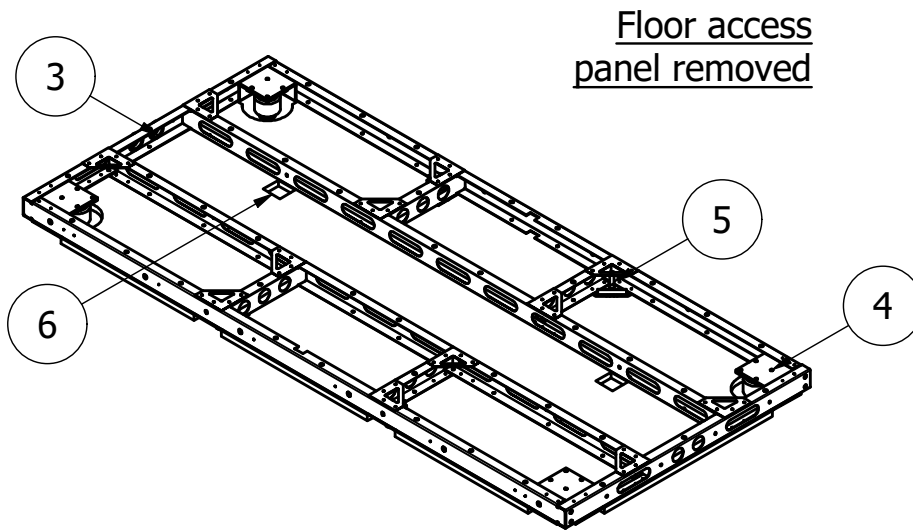
3. Cutouts for wiring

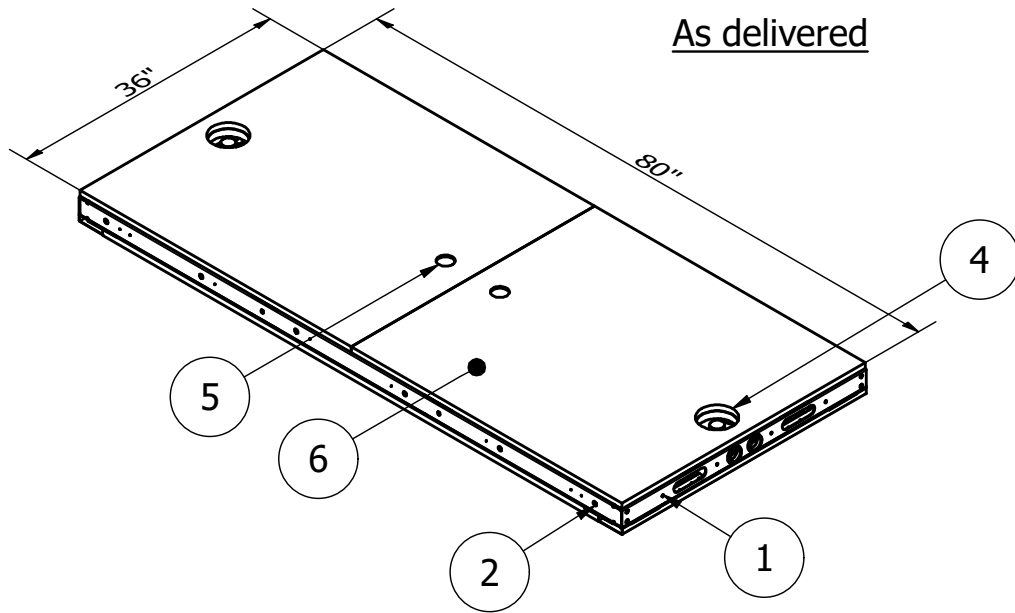
4. Airflow grill

5. Power/Data outlets



1. Holes for unit corners assembly
2. Holes for metal frame and glass/door assembly
3. Cutouts for wiring
4. Casters w/Leveler
5. Leveler bolt
6. Cutouts for seismic bracket
7. Floor access panel





1. Holes for unit corners assembly

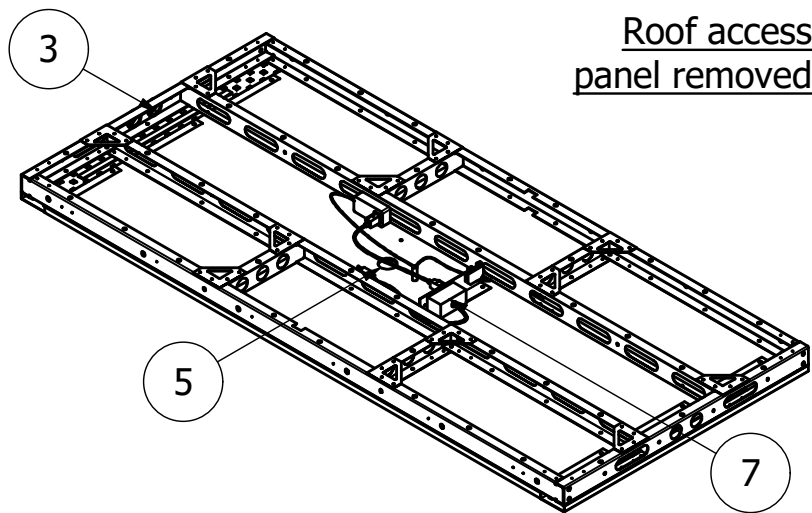
2. Holes for metal frame and glass/door assembly

3. Cutouts for wiring

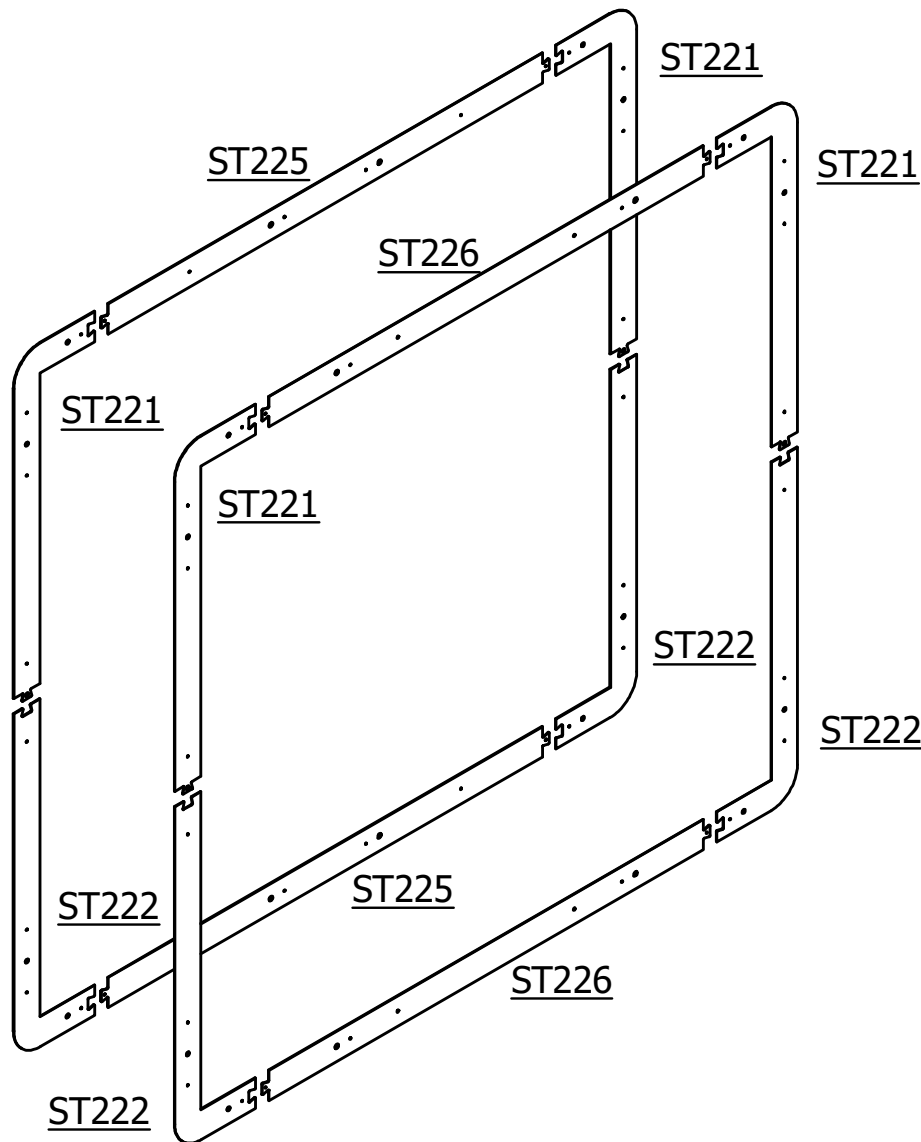
4. Cutouts for fans

5. Knock out hole for sprinkler (optional)

6. Roof access panel



7. Power control system inc. (power box w/outlets, LED driver, 2 LED lights, motion sensor, splitter box, 2 air fans)

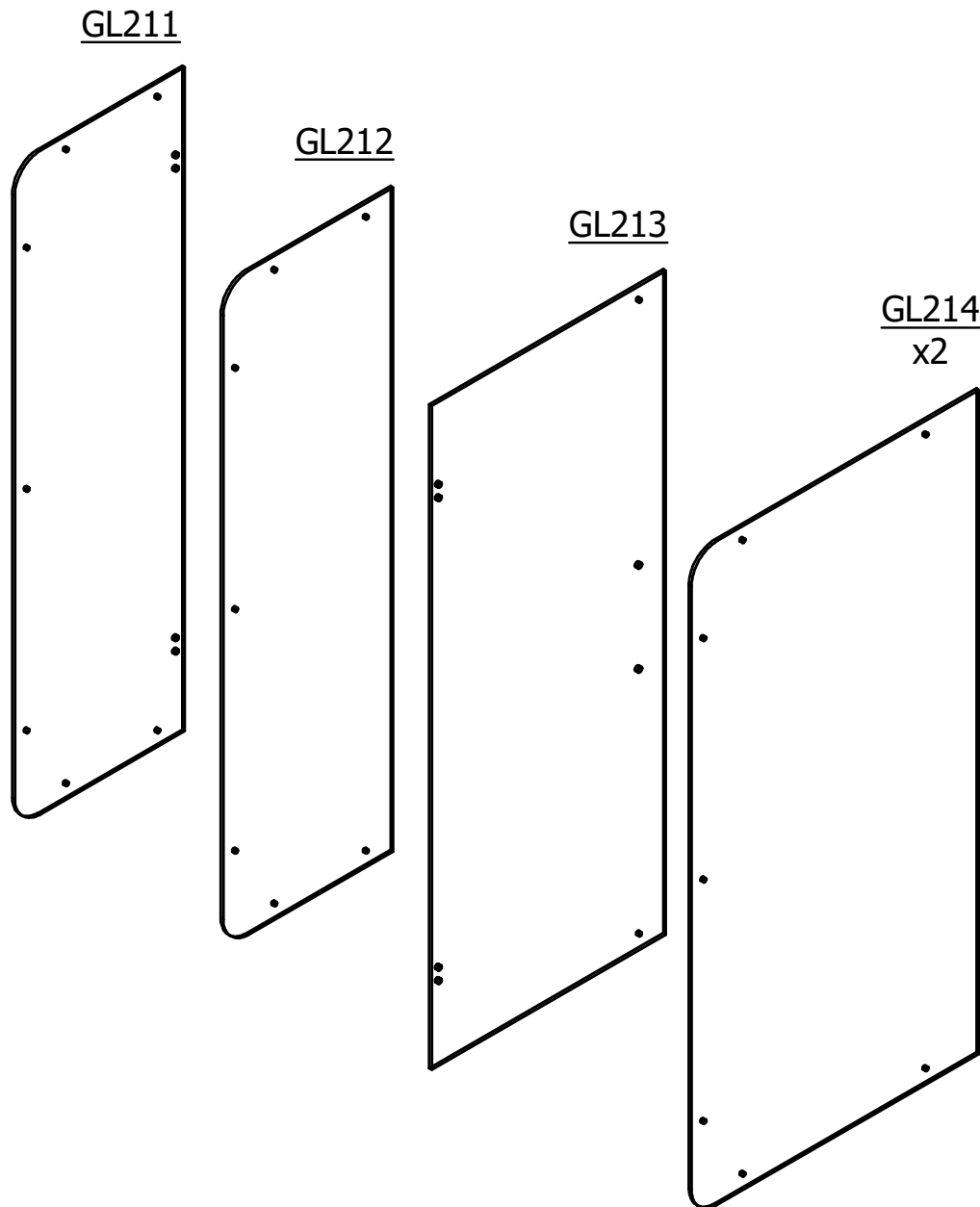


ST221 - Frame metal part (2 on front, 2 on back) with self tapping screws (FS201 x 8) per piece. This part has 5 holes for glass assembly.

ST225 - Frame metal part on the rear of the unit with Self tapping screws (FS201 x 6). This part has 2 holes for glass assembly.

ST226 - Frame metal part on the front of the unit with self-tapping screws (F201 x 4) for glass assembly and 2 for M6 Screws (F205)

All parts have plastic gaskets on the edges

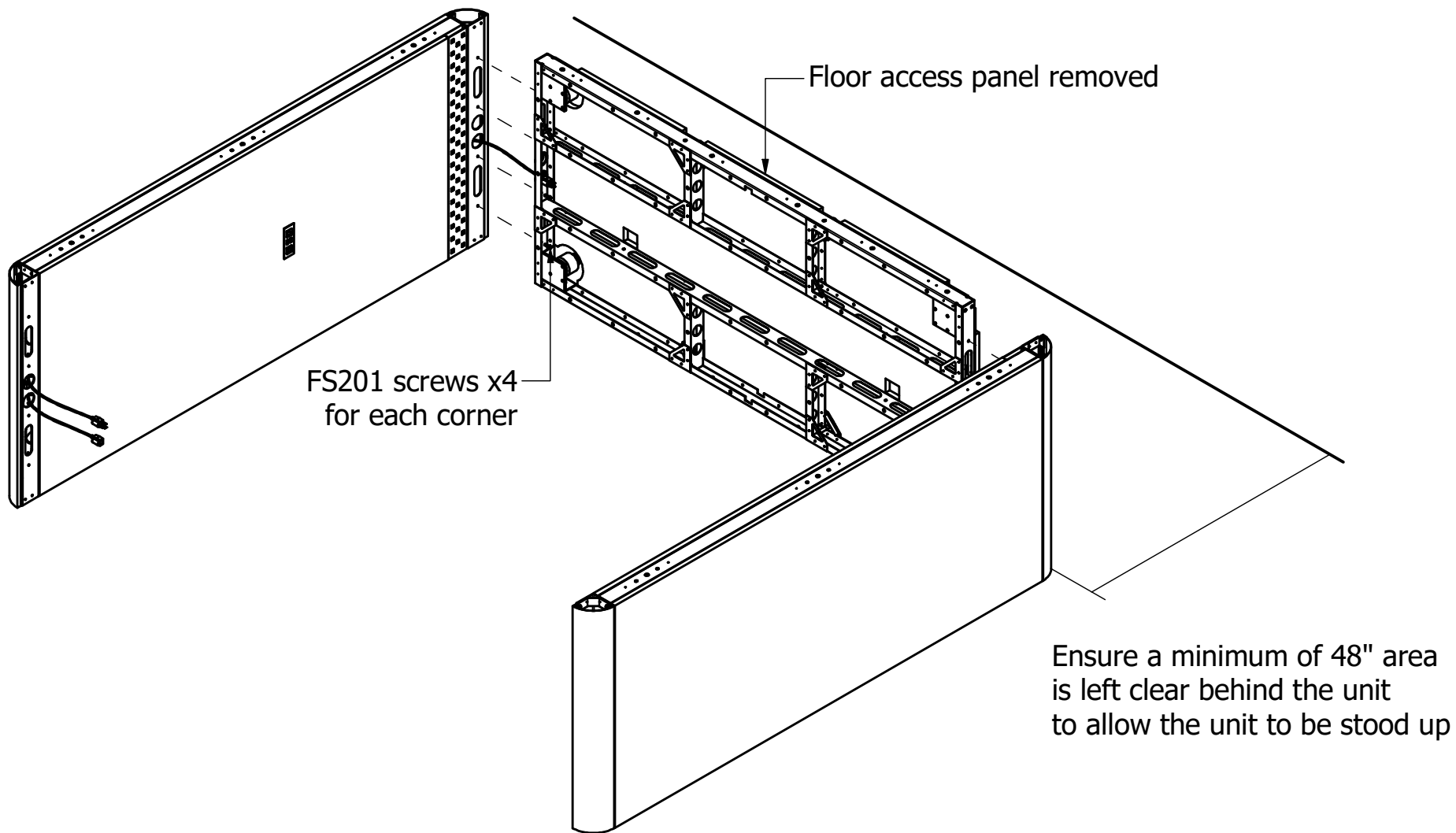


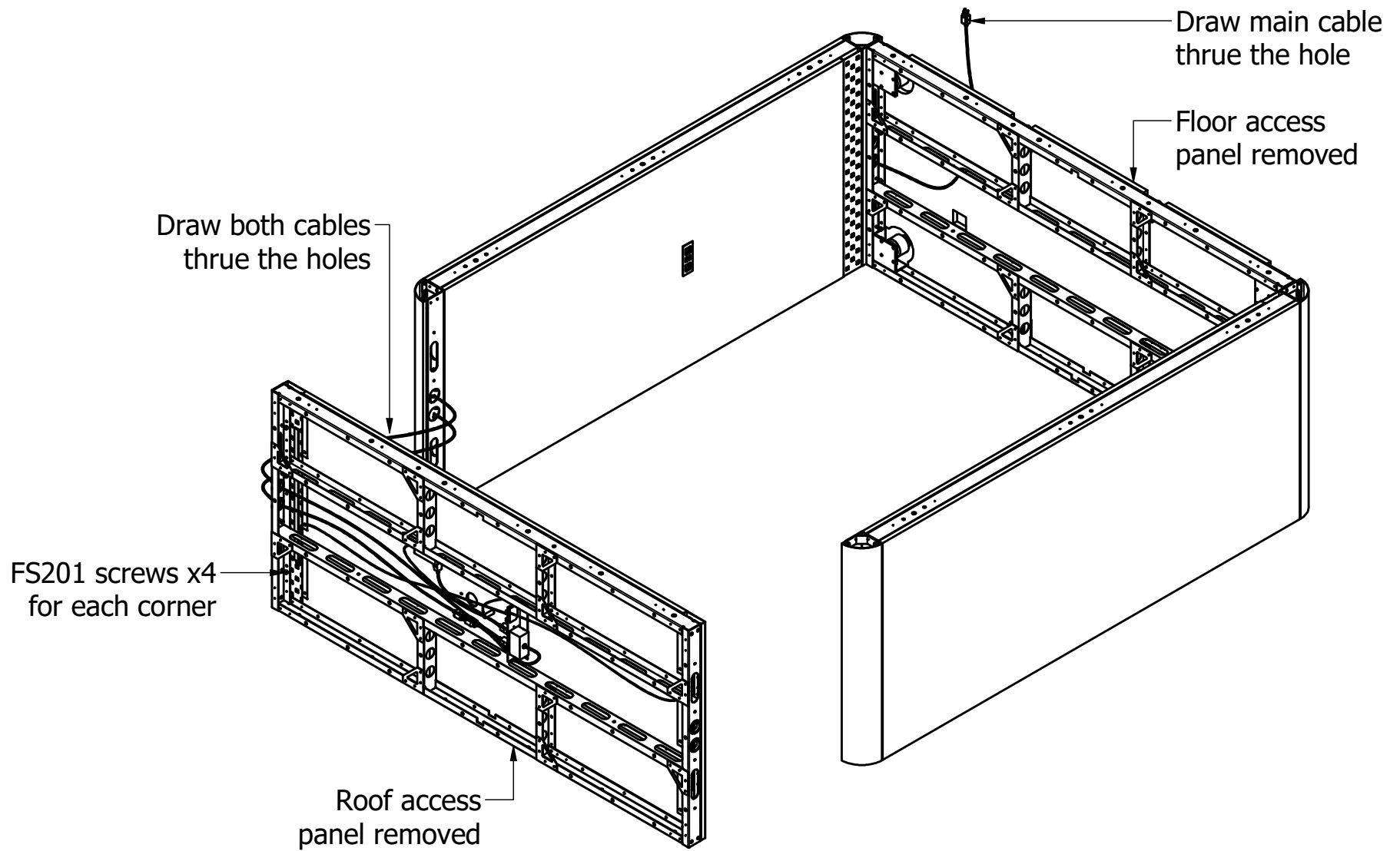
GL211 - Sidelight glass panel has 7 holes for assembly by M10 countersunk screw FS203 with plastic socket cap FS204 two pairs of holes for door hinges assembly

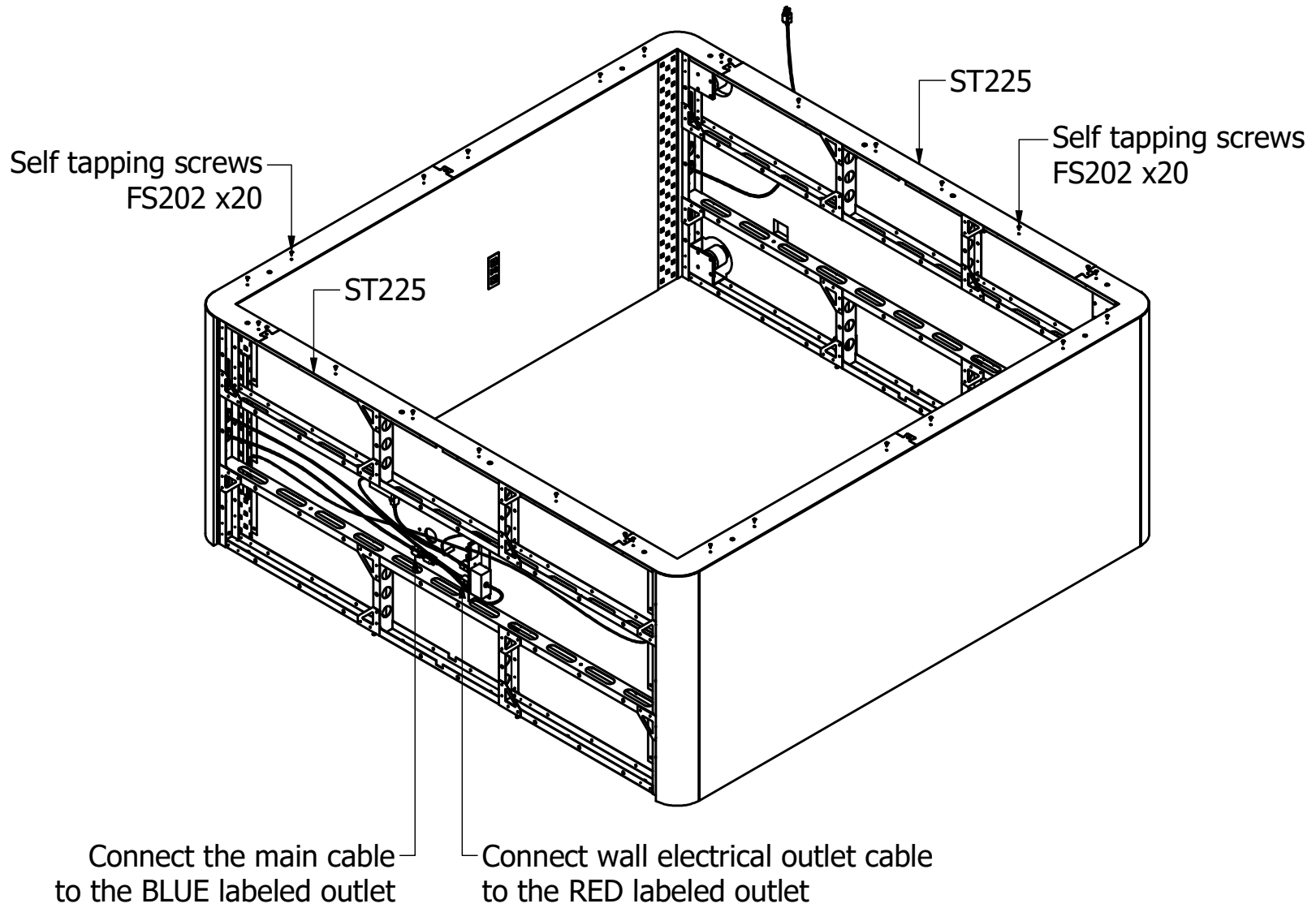
GL212 - Sidelight glass panel has 7 holes for assembly by M10 countersunk screw FS203 with plastic socket cap FS204

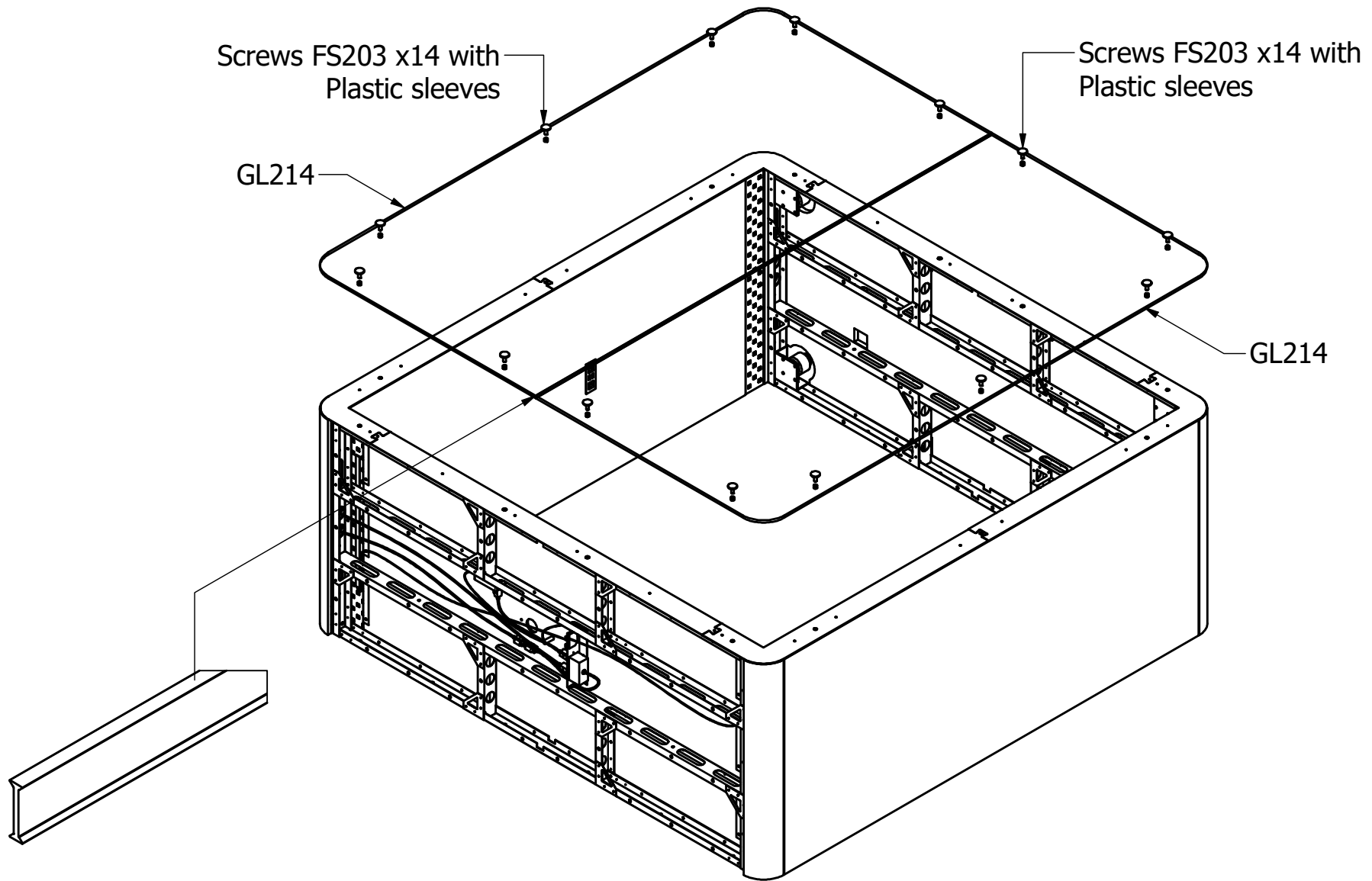
GL213 - Door glass panel has two pairs of holes for door hinges assembly
 pair of holes for handle
 pair of holes for magnets

GL214 - Back glass panel x2 has 7 holes for assembly by M10 countersunk screw FS203 with plastic socket cap FS204

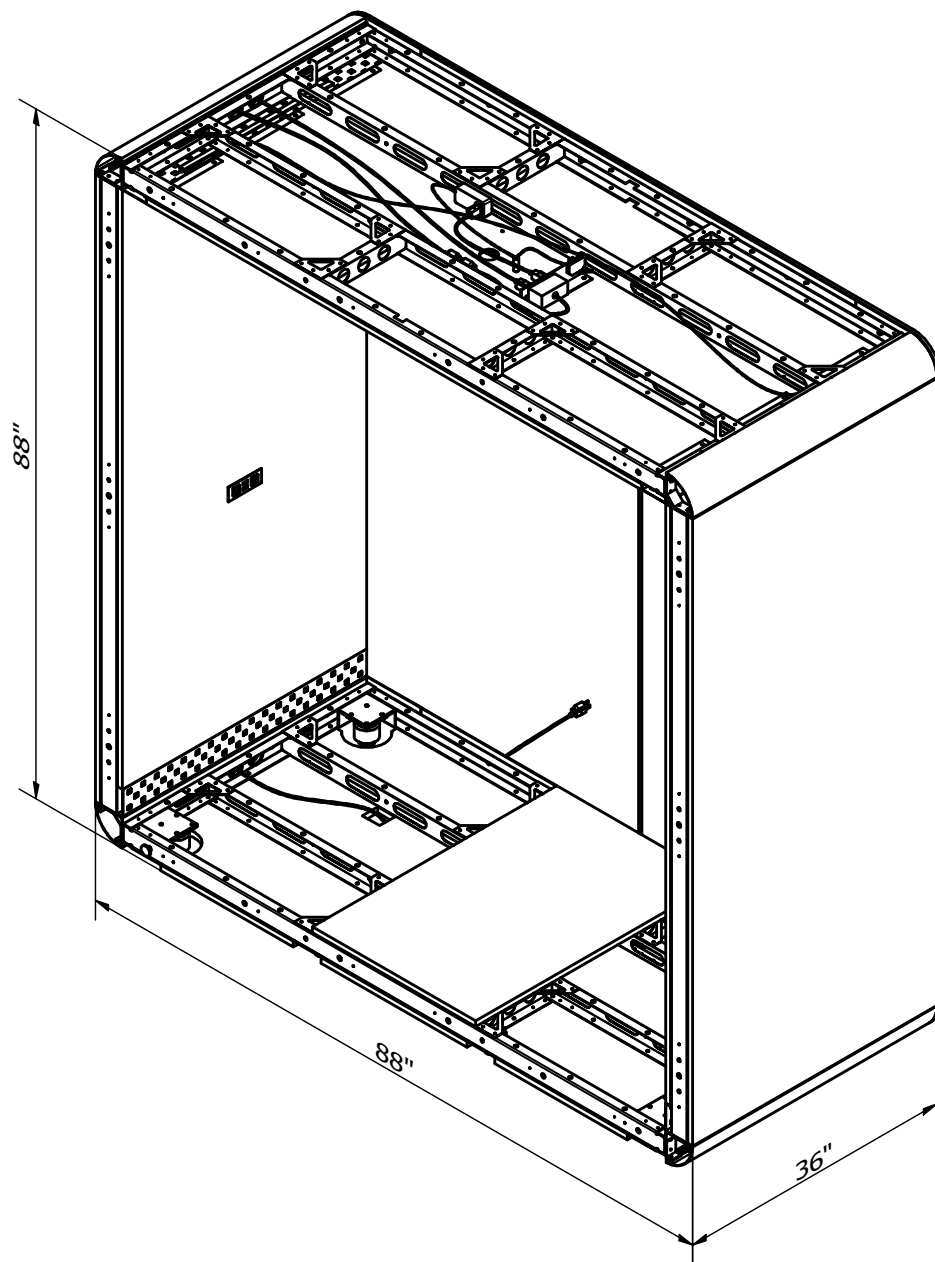








Insert Acrylic seal between glass. Be sure to remove plastic to expose glazing tape, this ensures a good bond.



Ensure levelers have been retracted so that wheels are exposed. This will allow the unit to be rolled into its final installation location. Then level the unit.

