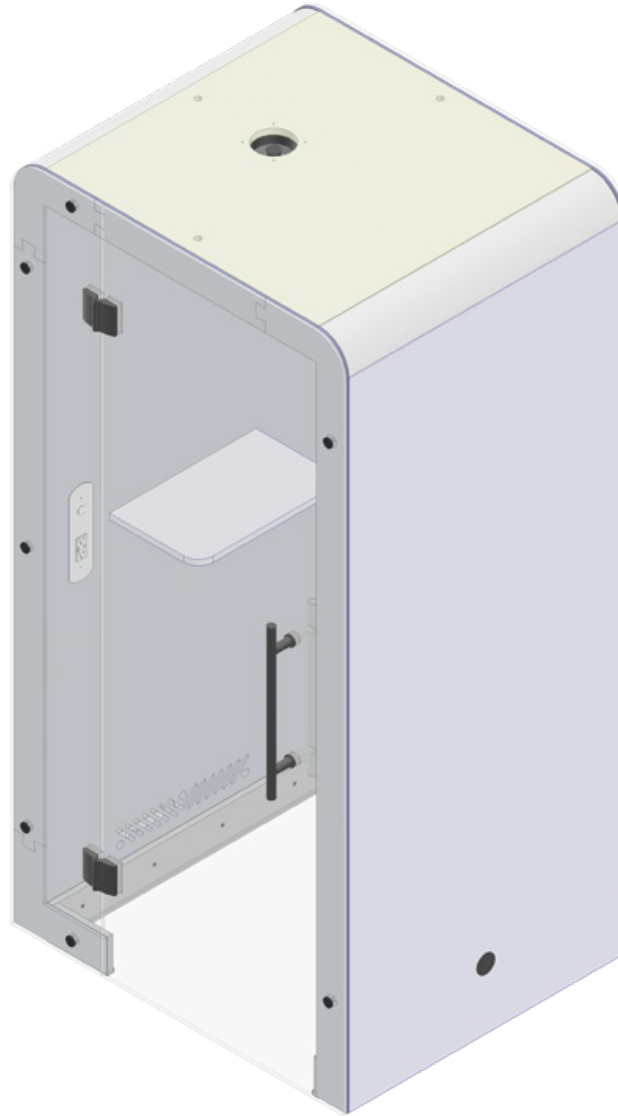


# ASSEMBLY GUIDE



## KSelfi Floorless



FS201 x 28  
Euro screw



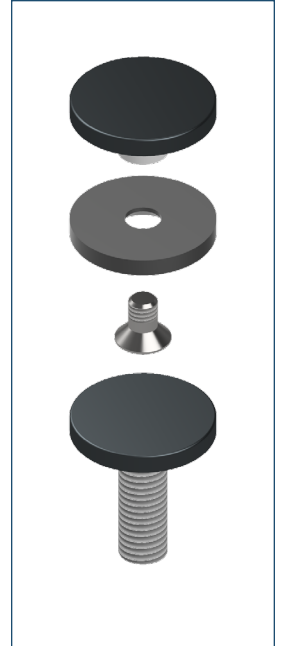
FS203 x 48  
Self tapping screw



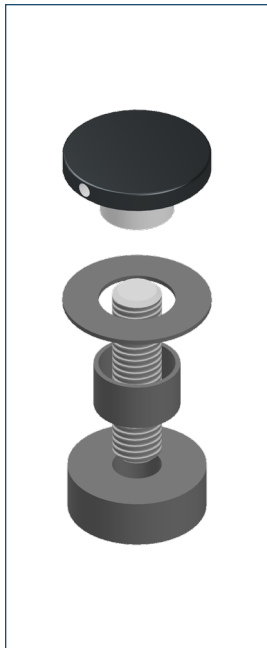
FS205 x 6  
Wood screw



FS208 x 4  
M10 machine screw



FS212 x 2  
Door magnet set



FS213 x 21  
M10 stand-off cap set



FS218 x 6  
M10 steel hex nut



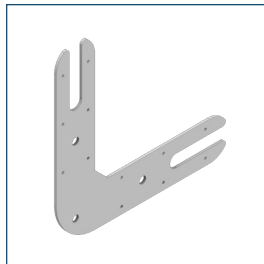
FS219 x 6  
Plastic cap



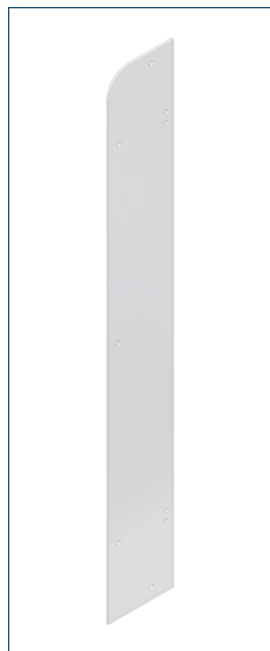
FS220 x 16  
Self tapping screw



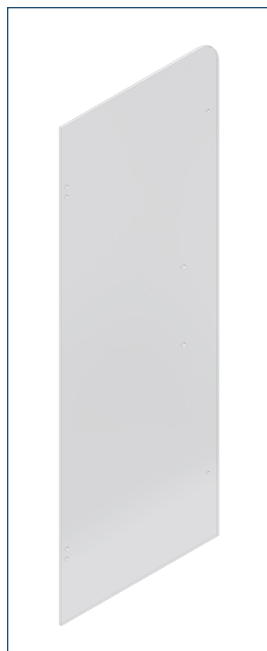
Stand-off cap key  
x 2



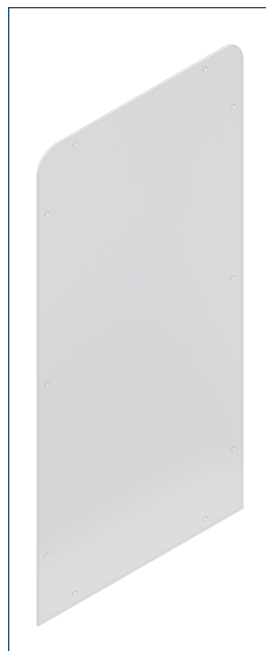
ST335 x 4  
Units assembly  
corner bracket



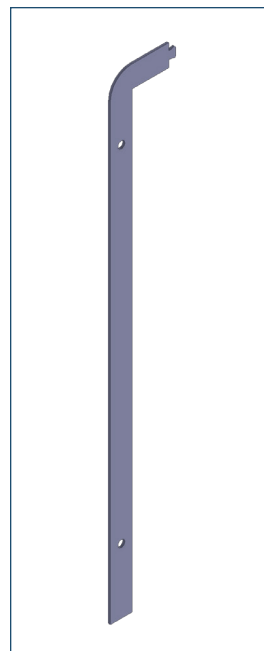
GL311 x1  
Hinges side of the front glass panel



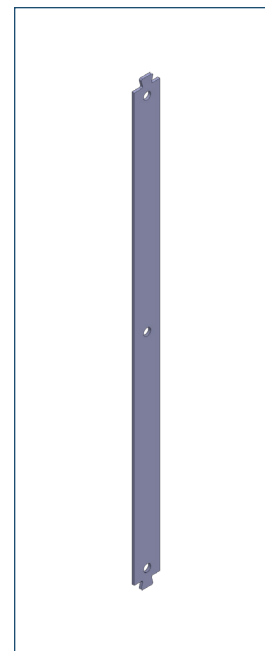
GL313 x1  
Glass door panel



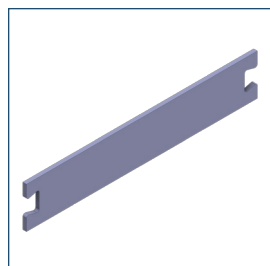
GL314 x1  
Rear glass panel



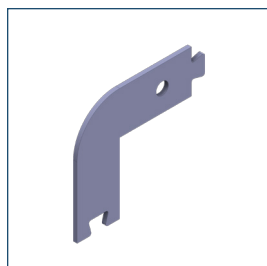
FT313 x1  
Acoustic cladding



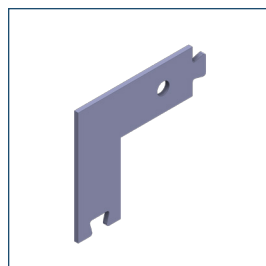
FT304 x3  
Acoustic cladding



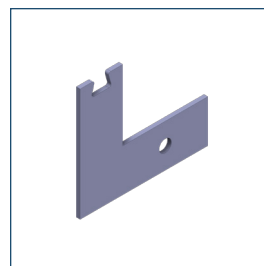
FT302 x3  
Acoustic cladding



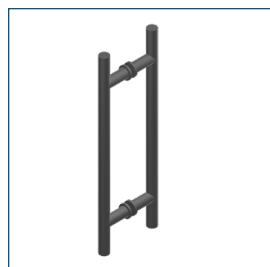
FT301 x4  
Acoustic cladding



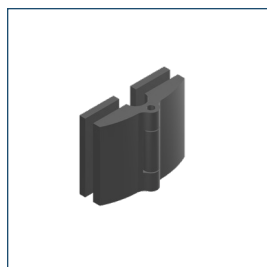
FT309 x2  
Acoustic cladding



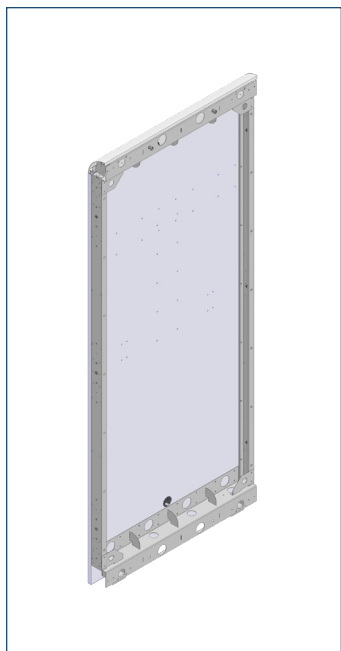
FT312 x1  
Acoustic cladding



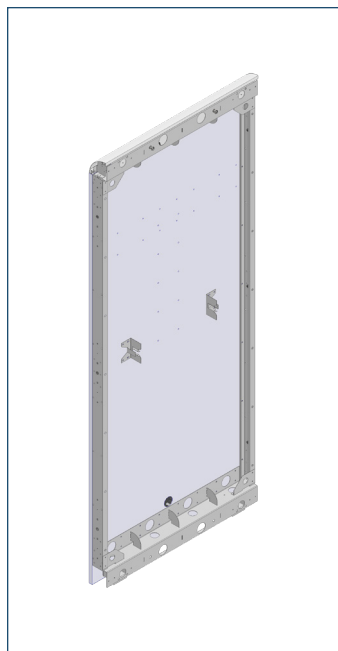
A\_HW201 x1  
Door handle x1



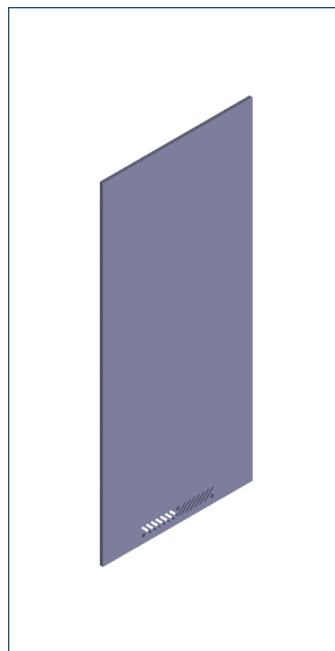
A\_HW203 x2  
Door hinge x2



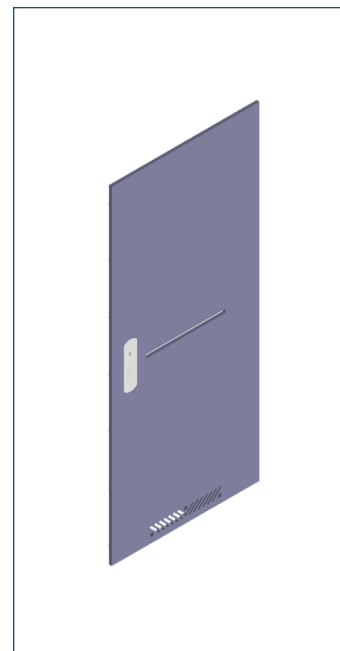
U\_WL311 x 1  
Wall unit



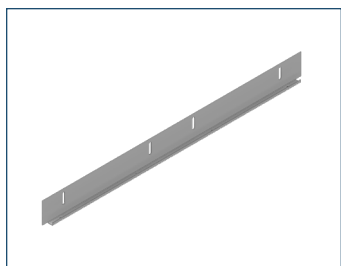
U\_WL312 x 1  
Wall unit



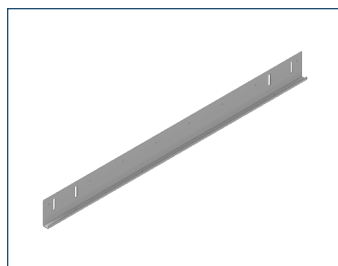
A\_IN311 x 1  
Acoustic interior panel



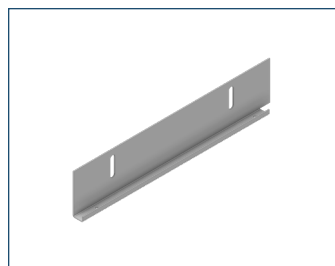
A\_IN312 x 1  
Acoustic interior panel



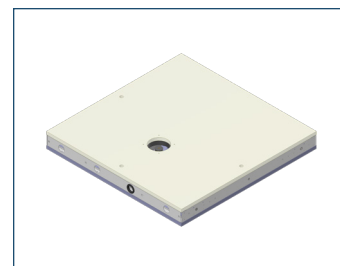
ST344 x 1  
Base adjusted skirt L47"



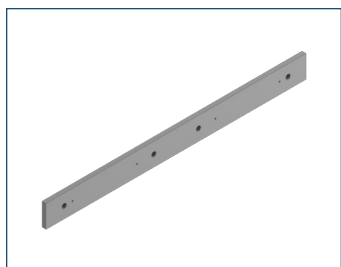
ST347 x 2  
Base adjusted skirt L48"



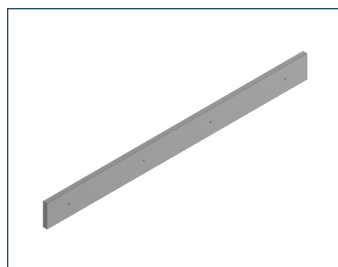
ST348 x 1  
Base adjusted skirt L20"  
(left)



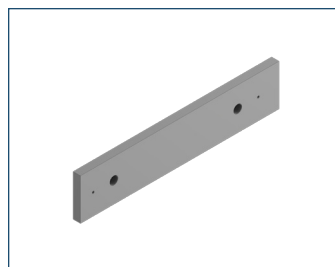
U\_CL301 x 1  
Ceiling unit



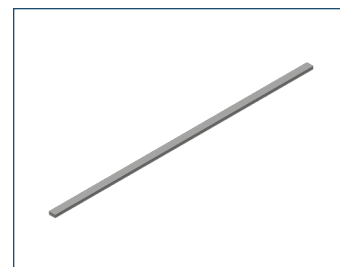
BB301 x 2  
Decorative baseboard L36"



BB305 x 2  
Decorative baseboard L22"

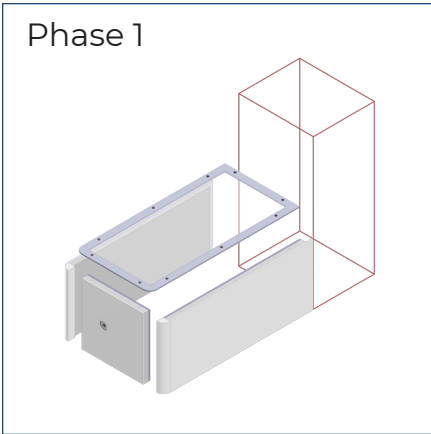


BB306 x 1  
Decorative baseboard L80"

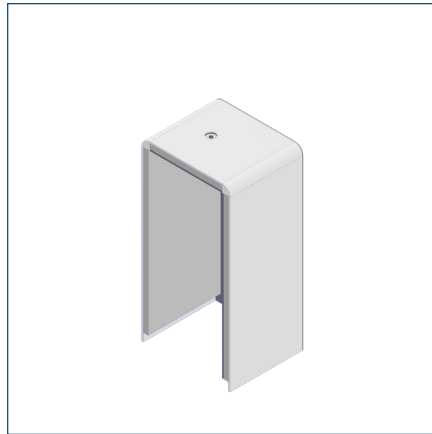


BB311  
Decorative 'skirt' trim  
to be cut on site

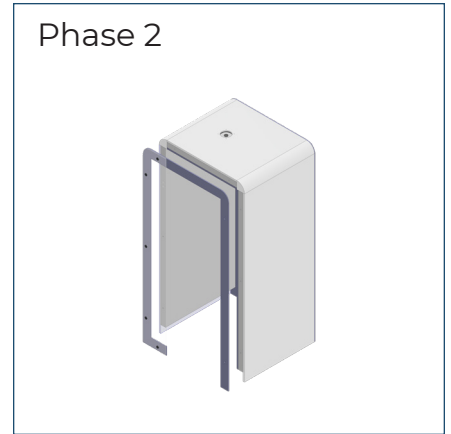
# Intro (assembly scenario)



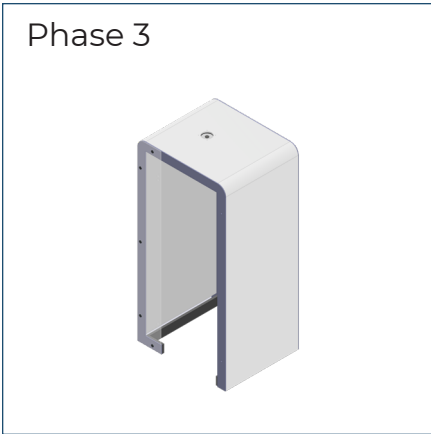
Rear glass panel assembly lay out on the ground. Remove acoustic interior panels



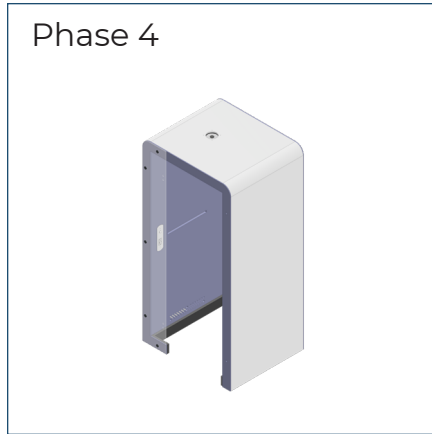
Raise up vertically assembled segment and locate properly



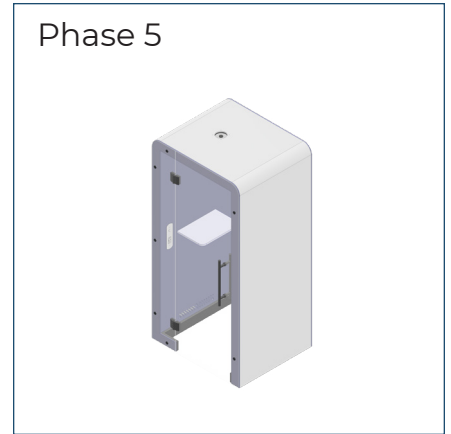
Assemble front glass panel  
Level the unit



Complete base board assembly  
Anchor to floor

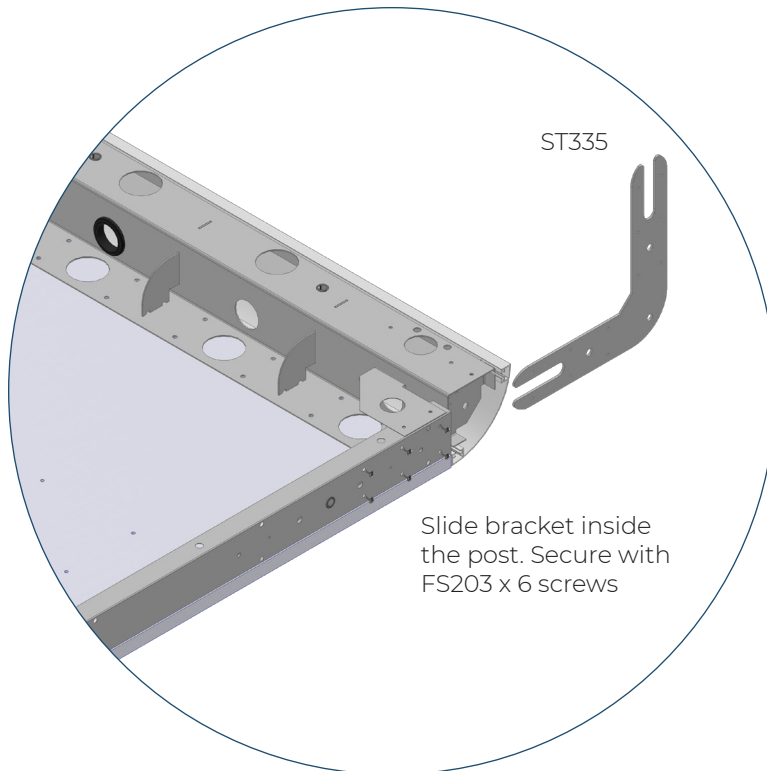
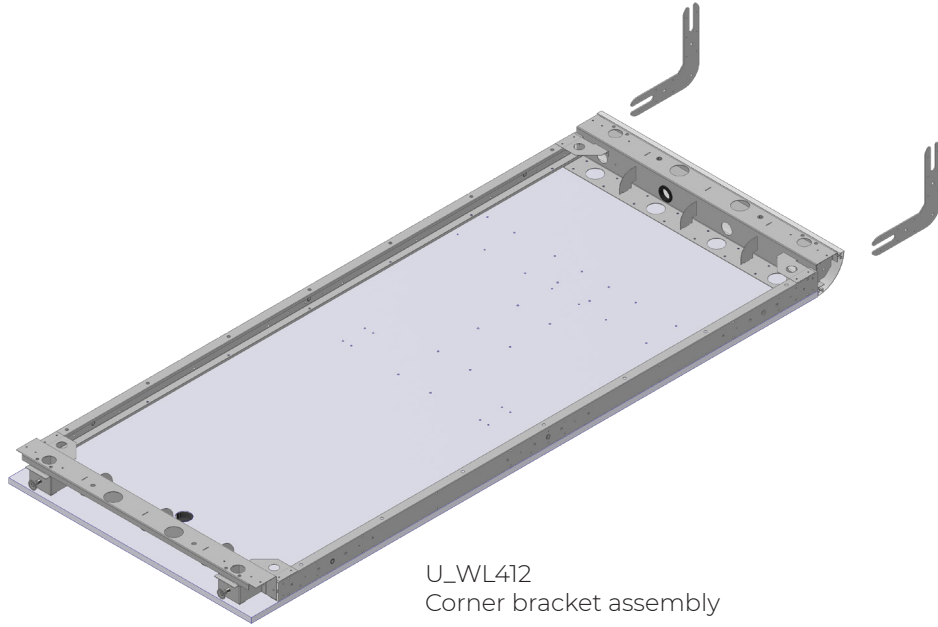


Cross connect the wires  
Place roof panels on top  
Attach acoustic interior panels

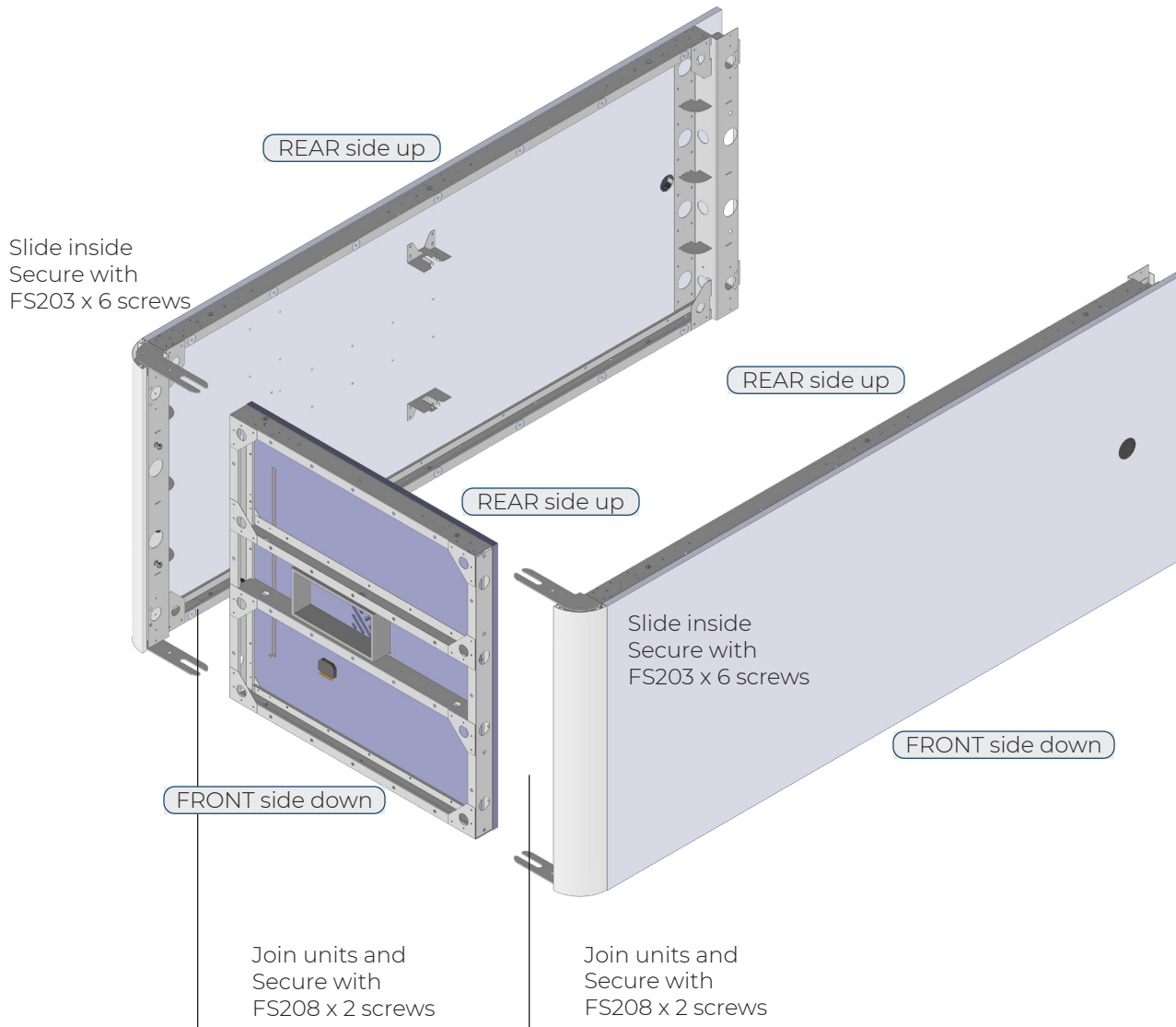


Assemble front glass door  
Clean product

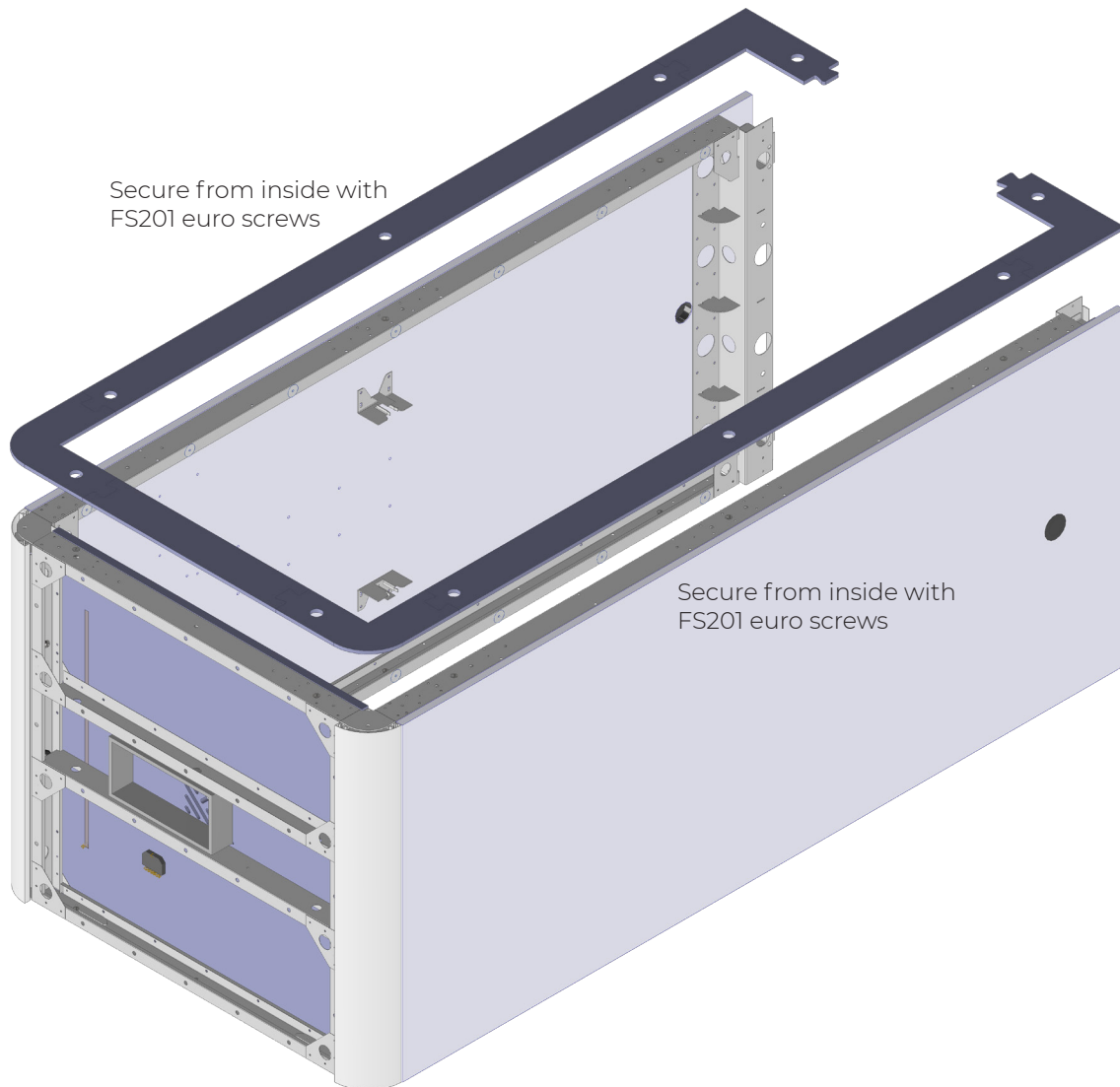
# Wall units preparation



- lay out both wall units on the ground with “rear” side facing up
- slide in corner brackets and secure with FS203 screws on “rear” side only
- attach ceiling unit, ensuring “rear” side is facing up
- secure ceiling to wall using FS208 bolts.

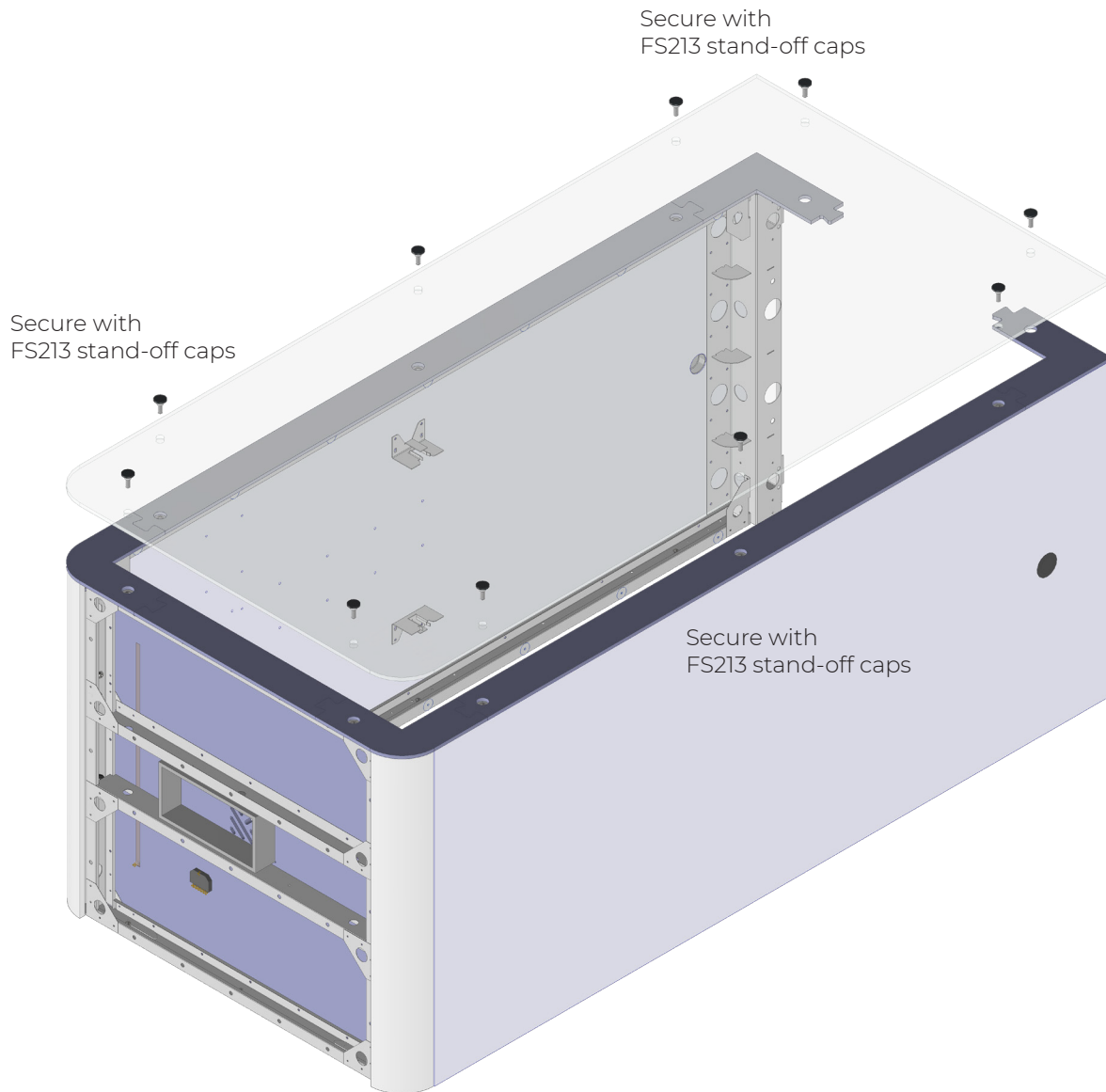


- while still on ground, lay the felt acoustic border on the edges of the unit, secure from inside with FS201 euro screws
- place rubber grommets in all the holes

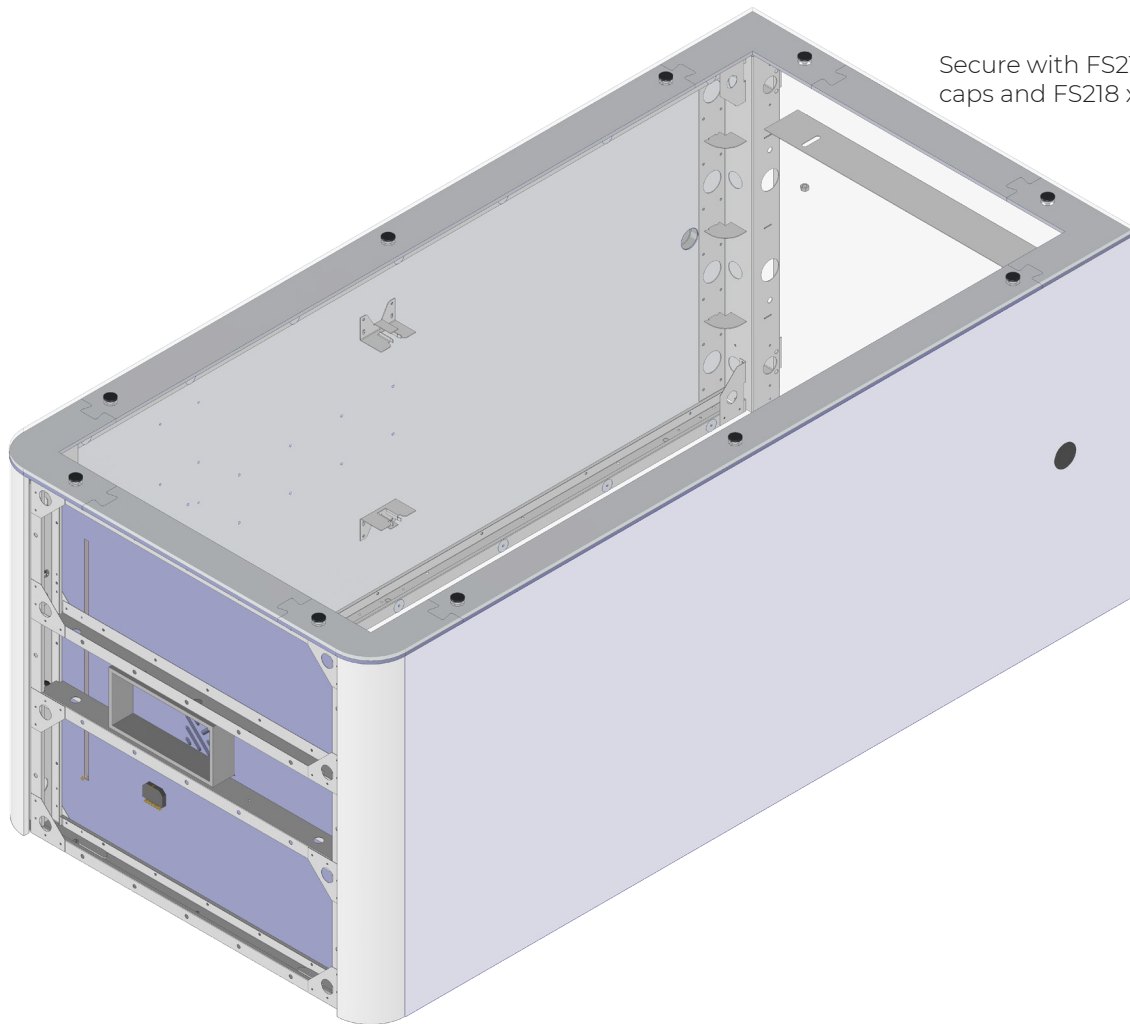




- attach piece of rear glass to the unit and secure using FS213 screws with stand-off cap

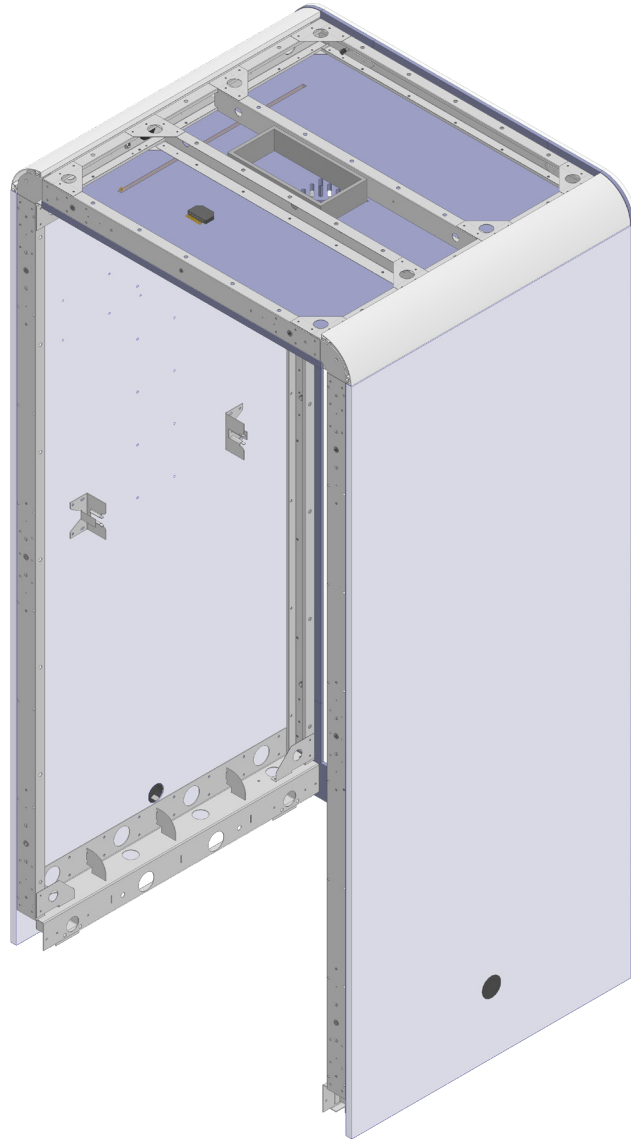


- install rear adjusted “skirt” and felt acoustic borders to the bottom of the unit with FS218 hex nuts
- adjust the glass and felt acoustic borders as needed, and tighten all FS213 screws with stand off caps
- stand the unit up vertically

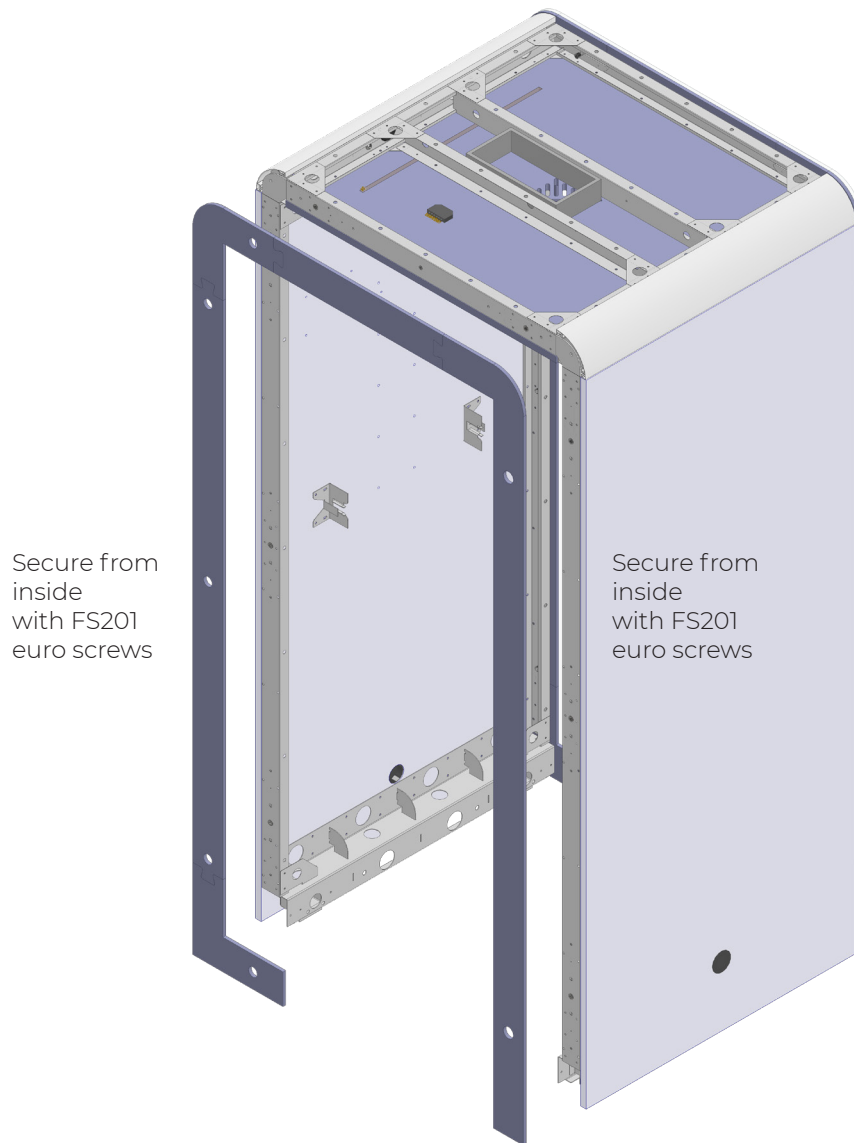


Secure with FS213 stand-off caps and FS218 x 2 nuts

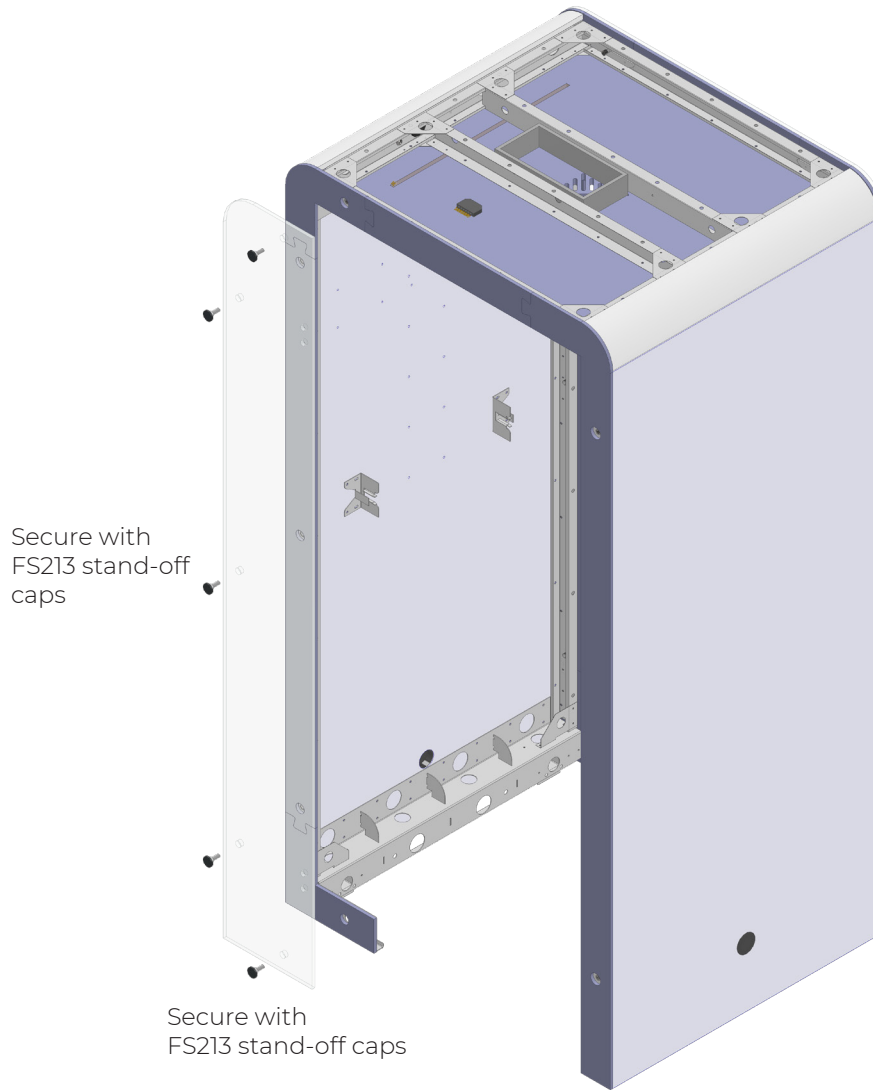
- stand the unit up vertically
- secure corner brackets with FS203 screws on “front” side



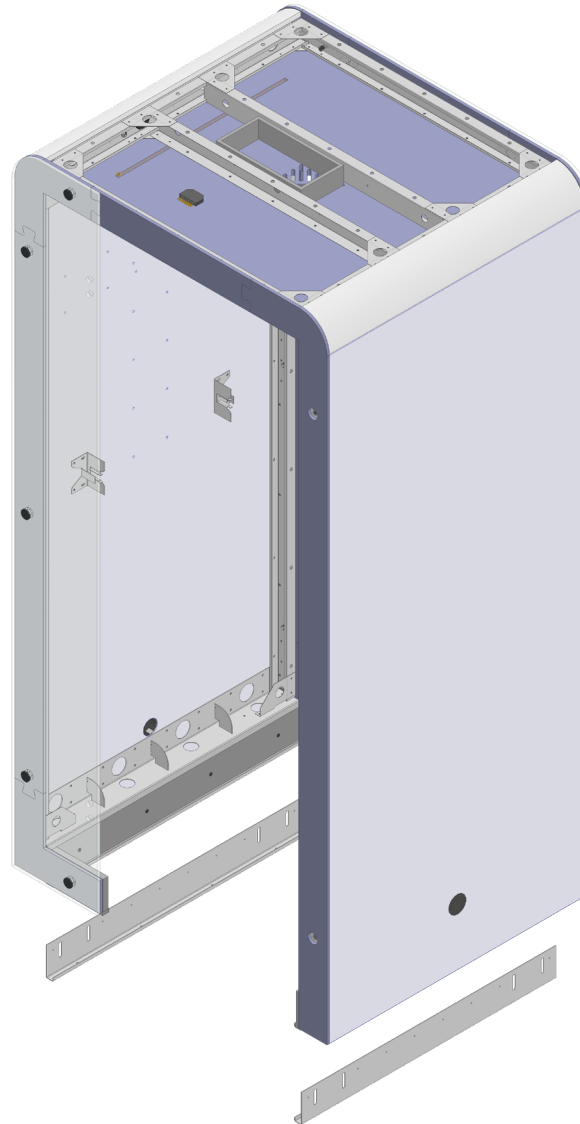
- attach the felt acoustic border on the edges of the unit, secure from inside with FS201 euro screws
- place rubber grommets in all the holes



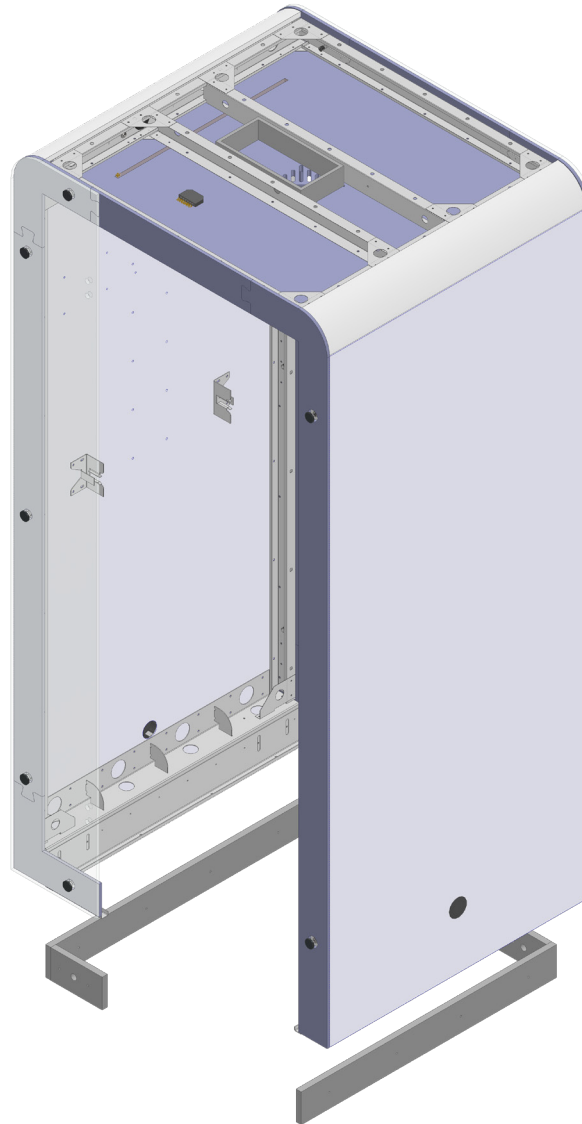
- attach piece of front sidelight glass to the unit and secure using FS213 screws with stand-off cap



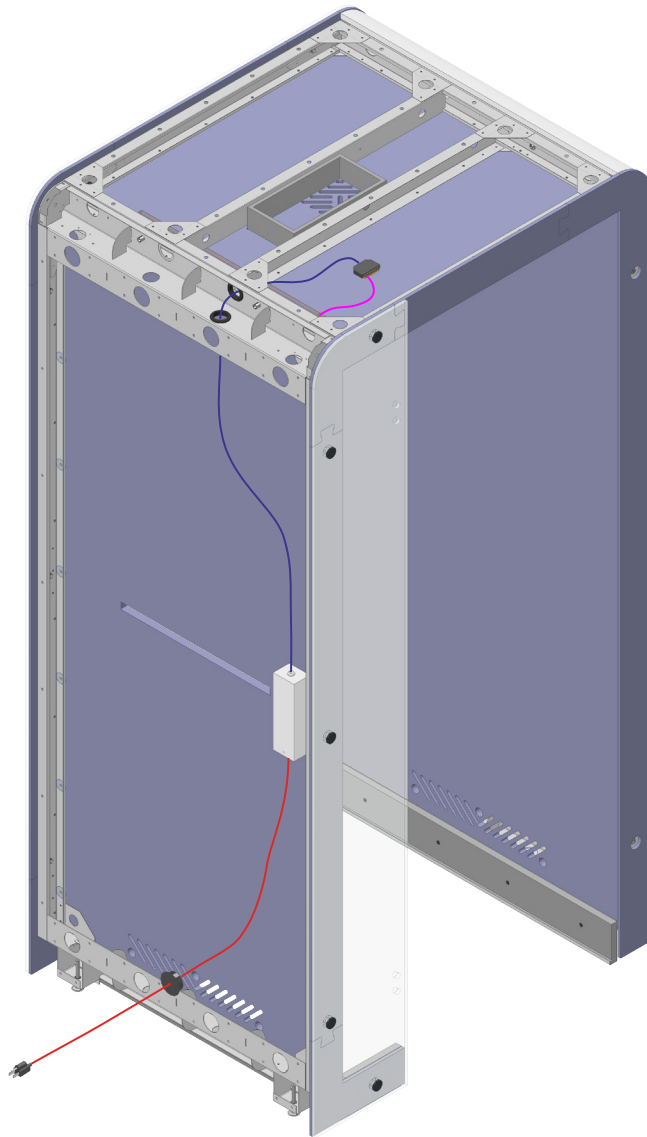
- attach the rest ST341 x 2 adjusted “skirts”
- start to level the unit using the leveler bolts
- ensure that the booth is plumb vertically
- secure adjusted “skirts” on sides with self tapping screws
- then anchor the adjusted “skirts” to the floor with dowels and screws



- attach all decorative boards to face of adjusted “skirts”
- secure with FS220 self tapping screws
- plug FS219 plastic cups to conceal the M10 nuts
- trim the BB313 to size to conceal floor anchored bolts



- run output wires through the ceiling
- connect wires to the splitter at the ceiling
- connect lights and speakers (optional) to the splitter
- run input cable inside the wall down through plastic cap out
- put the roof panels on top and connect all fans to the splitter



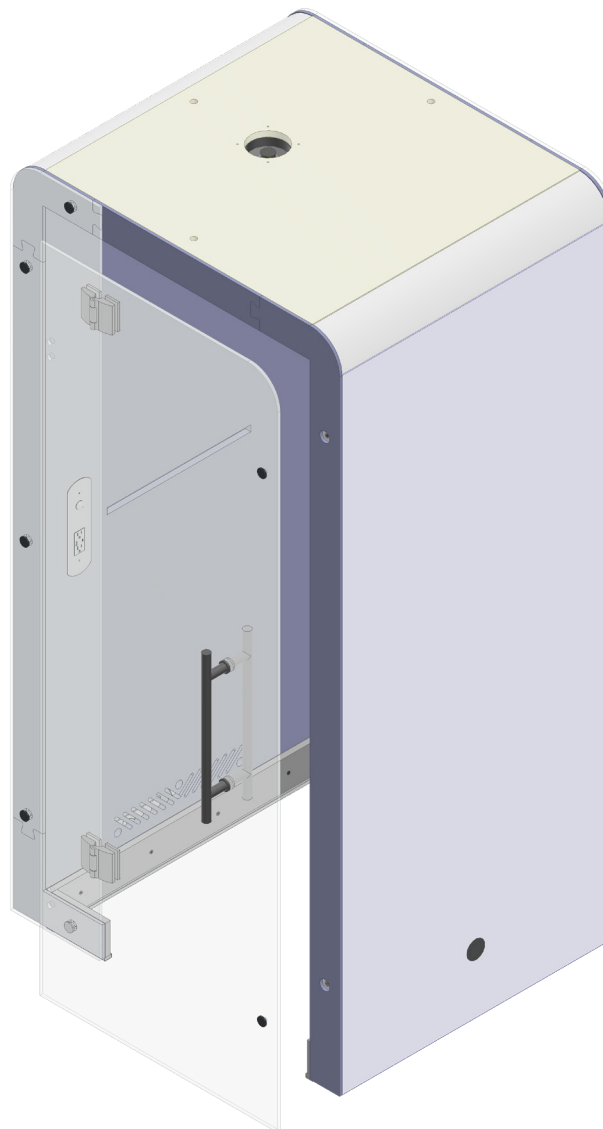


Once your side glass is installed you are able to mount your door. Be sure to install the silicon sleeves on every screw that goes through the glass unit.

Step 1: Get one hinge and one back plate with silicon sleeve and rubber spacer. Place the back plate to the inside of the unit where the pre drilled hole is located in glass and place the hinge on the exterior side of the same holes. Use screws provided in the hinge box to fasten the two pieces together. Do not over tighten at this point, leave it so you have some room to adjust the door. Do the same to install the second hinge.

Step 2: Bring the door up to both hinges and repeat steps to mount the door glass to the hinge. Snug the door to the hinges while supporting the door. Have one person inside the unit and one person on the exterior of the unit. Gently close the door making sure not to chip or mar the glass. Check for alignment and level while still supporting the door and once satisfied have the person on the interior tighten the screw M6 .

Step 3: Install cover plate on the interior to the glass backer plate use the Allan key provided in the hinge box to install this plate.



- insert and snap the work top into the slot
- clean the product

