

Kubebooth Ki

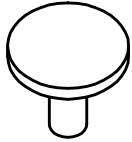
ASSEMBLY GUIDE



FS201 x16 - Self tapping screw for units corners assembly



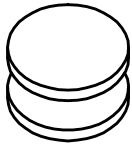
FS202 x30 - Self tapping screw for flat frame assembly



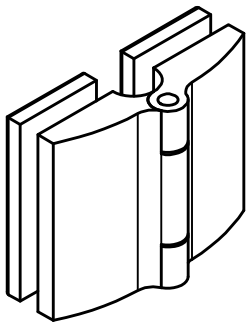
FS203 x15 - Stand-off cap M10 for glass assembly



FS205 x10 - Black M6 screw for flat frame (door side) assembly

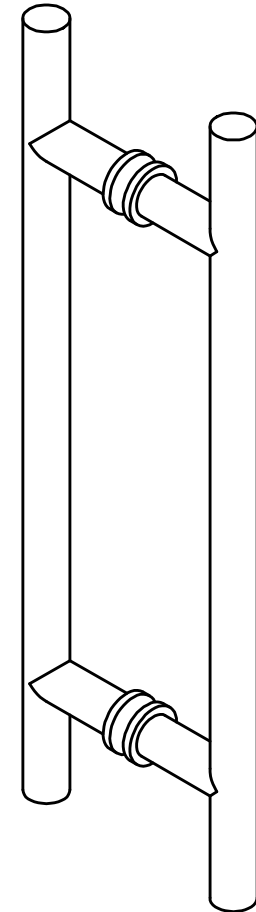


FS206 x2 - Door magnets set

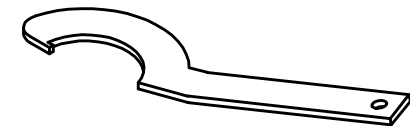


Door hinges x2

Door handle set x1

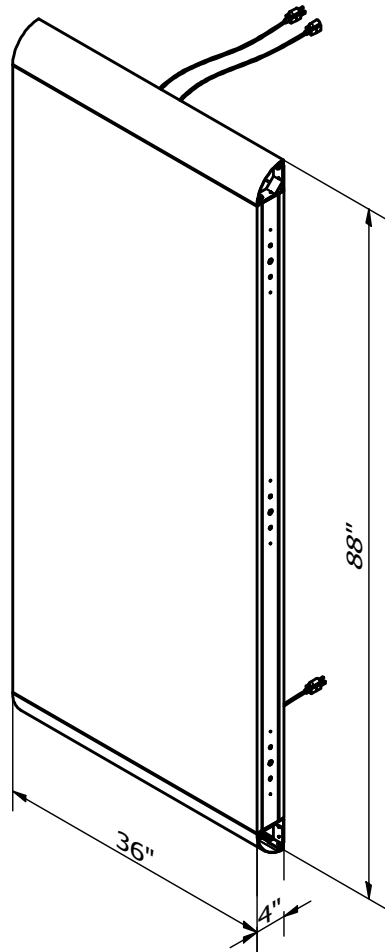


Stand-off cap key

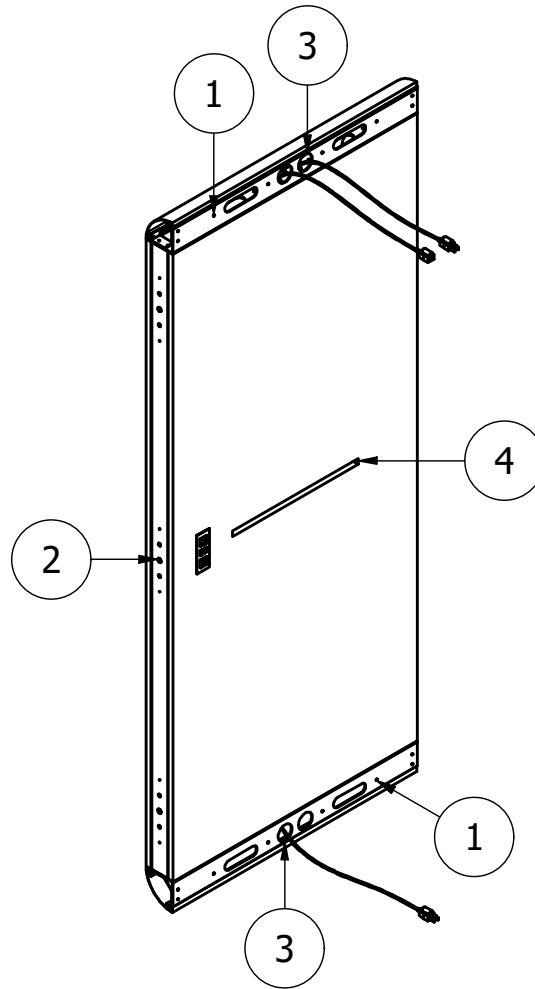


Ki_GU_P01

Outside View



Inside View



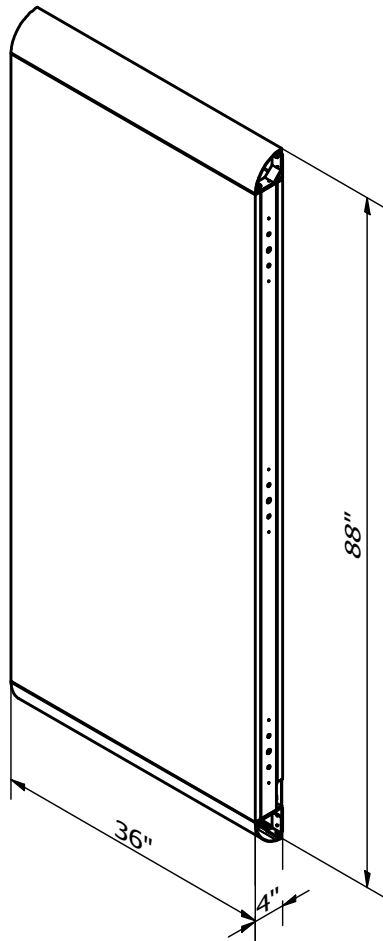
1. Holes for unit corners assembly

2. Holes for metal frame and glass/door assembly

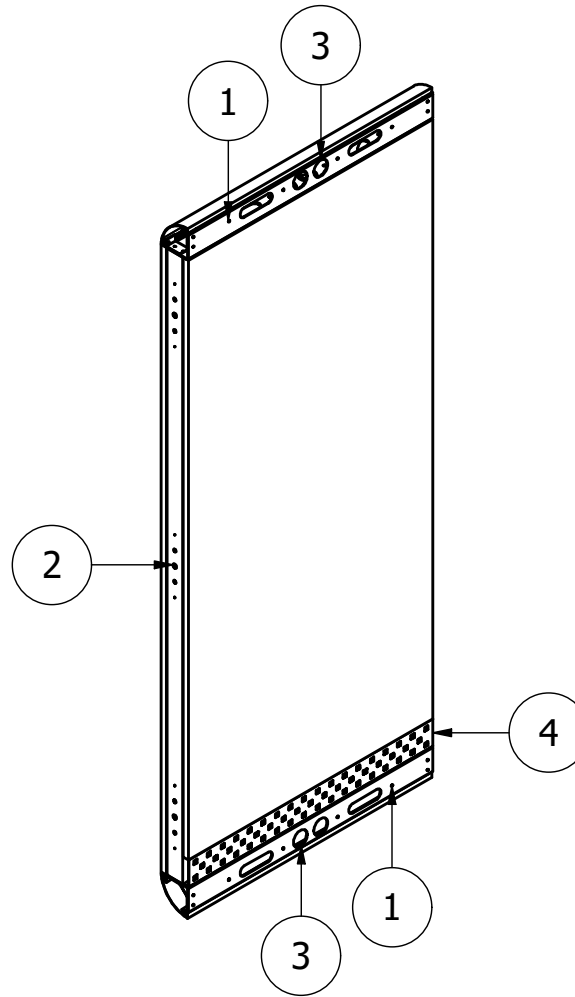
3. Cutouts for wiring

4. Cutout for shelf

Outside View



Inside View



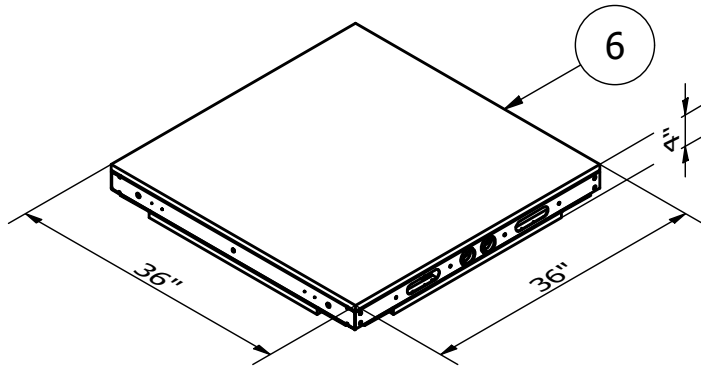
1. Holes for unit corners assembly

2. Holes for metal frame and glass/door assembly

3. Cutouts for wiring

4. Airflow grill

As delivered



1. Holes for unit corners assembly

2. Holes for metal frame and glass/door assembly

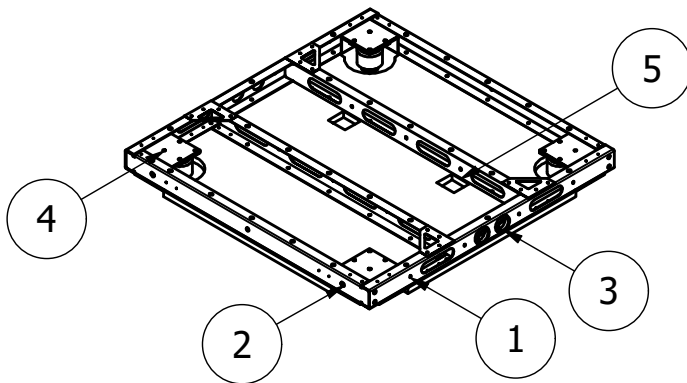
3. Cutouts for wiring

4. Casters w/Leveler

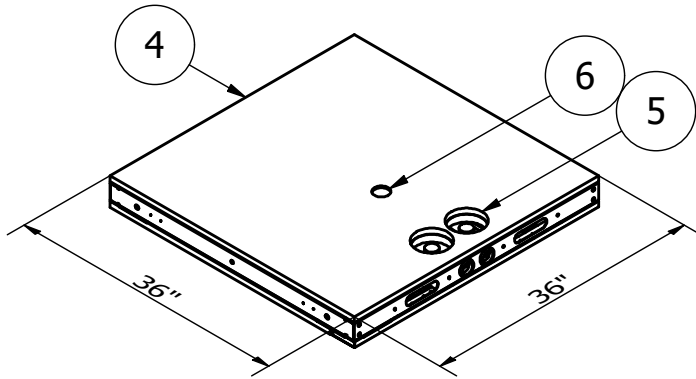
5. Cutouts for seismic bracket

6. Floor access panel

Floor access panel removed



As delivered



1. Holes for unit corners assembly

2. Holes for metal frame and glass/door assembly

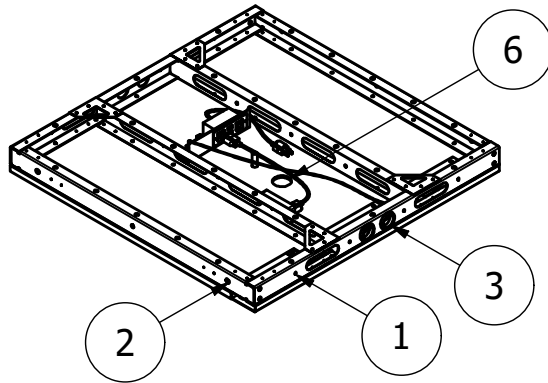
3. Cutouts for wiring

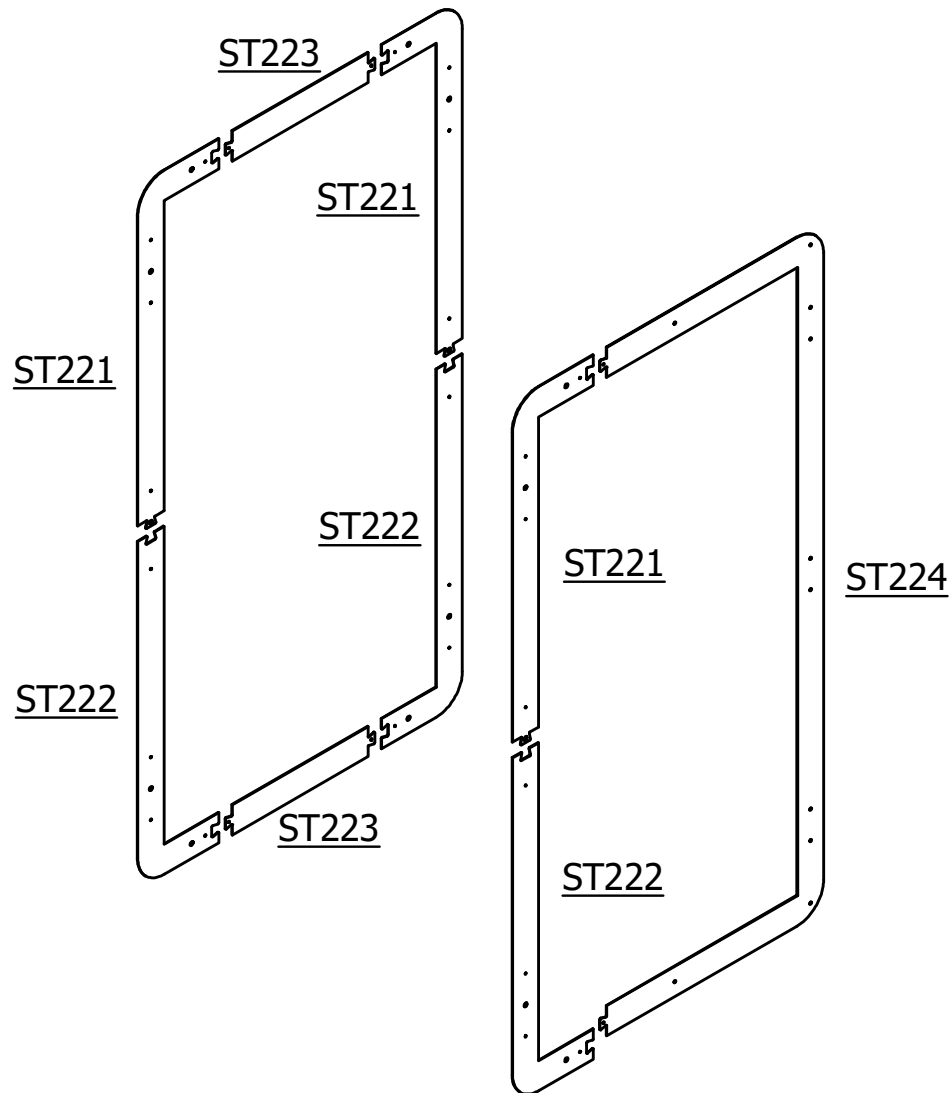
4. Roof access panel

5. Cutouts for fans

6. Knock out hole for sprinkler (optional)

Roof access panel removed





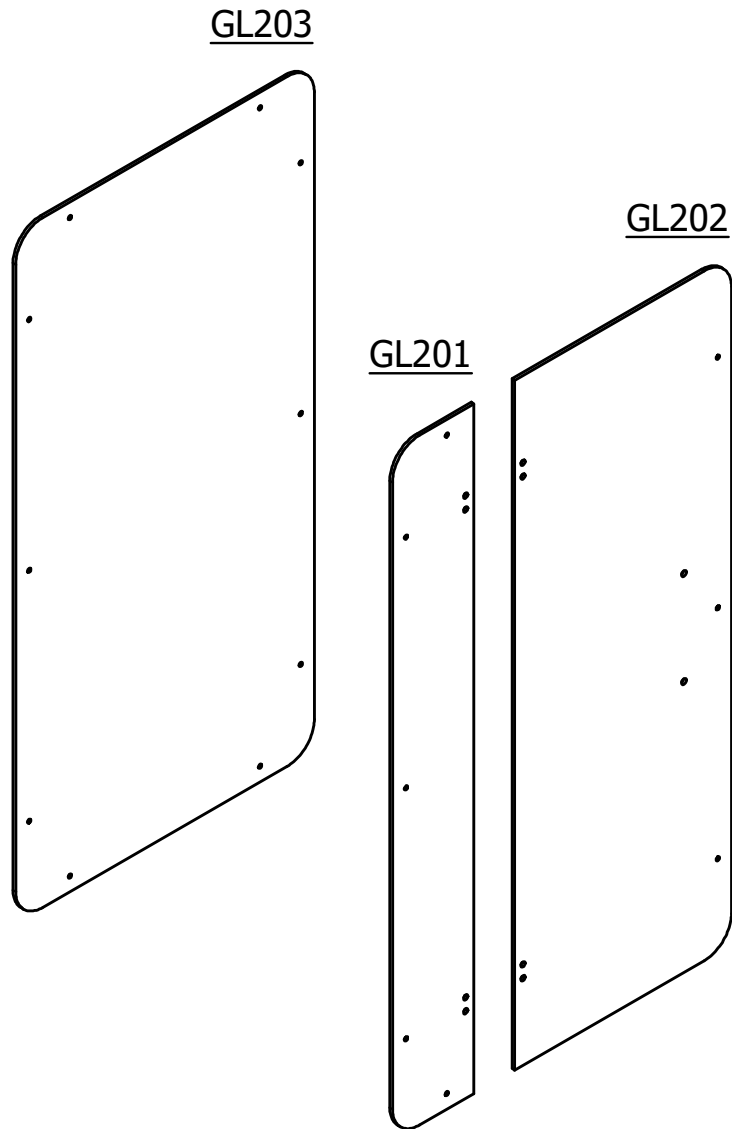
ST221 - Frame metal part (1 on front, 2 on back) with self tapping screws (FS201 x 8) per piece.

ST222 - Frame metal part (1 on front, 2 on back) with self tapping screws (FS201 x 8) per piece.

ST223 - Frame metal part (2 on back) with self tapping screws (FS201 x 2) per piece.

ST224 - Frame metal part (1 on front) with M6 screws (FS205 x 10)

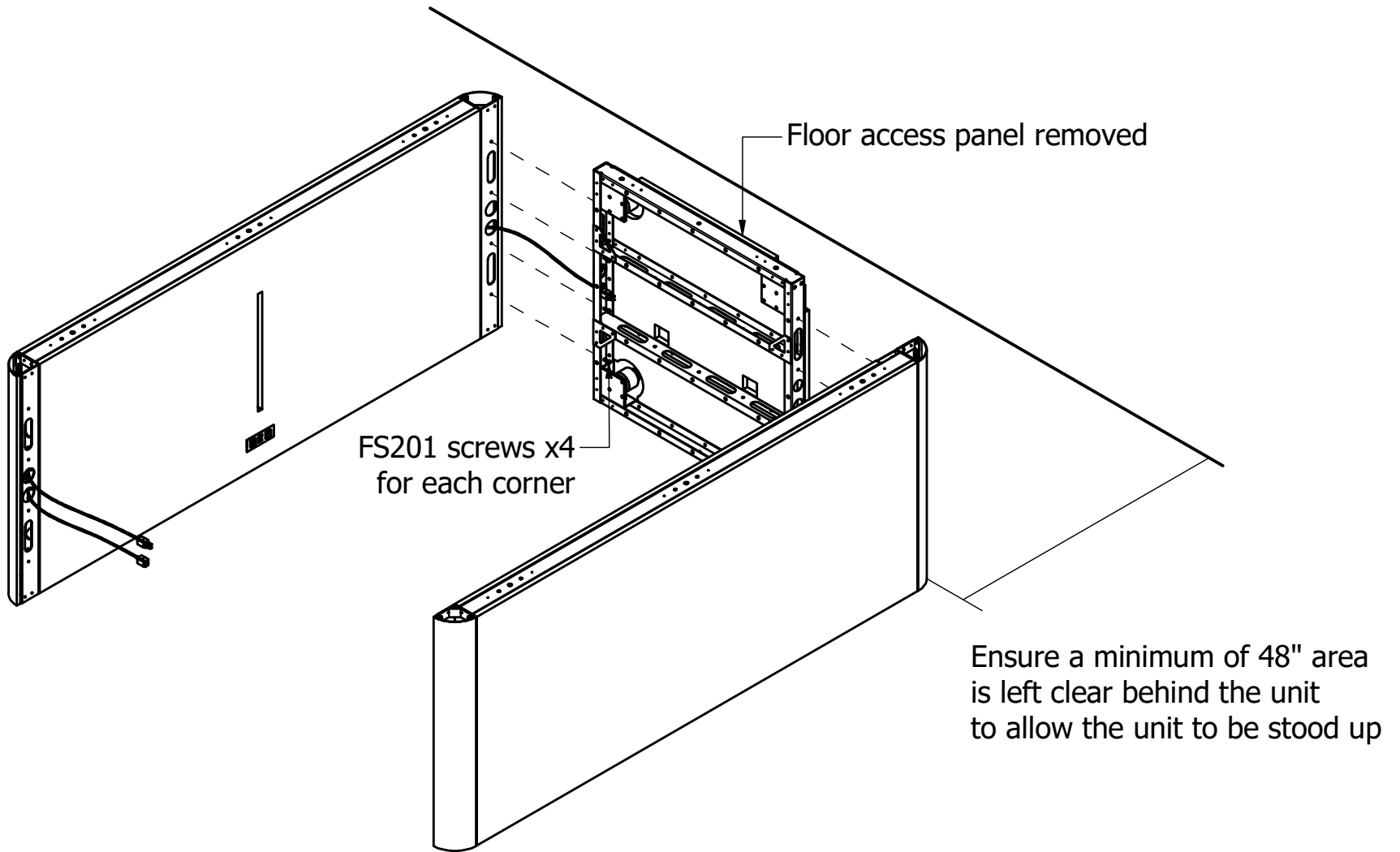
All parts have plastic gaskets on the edges

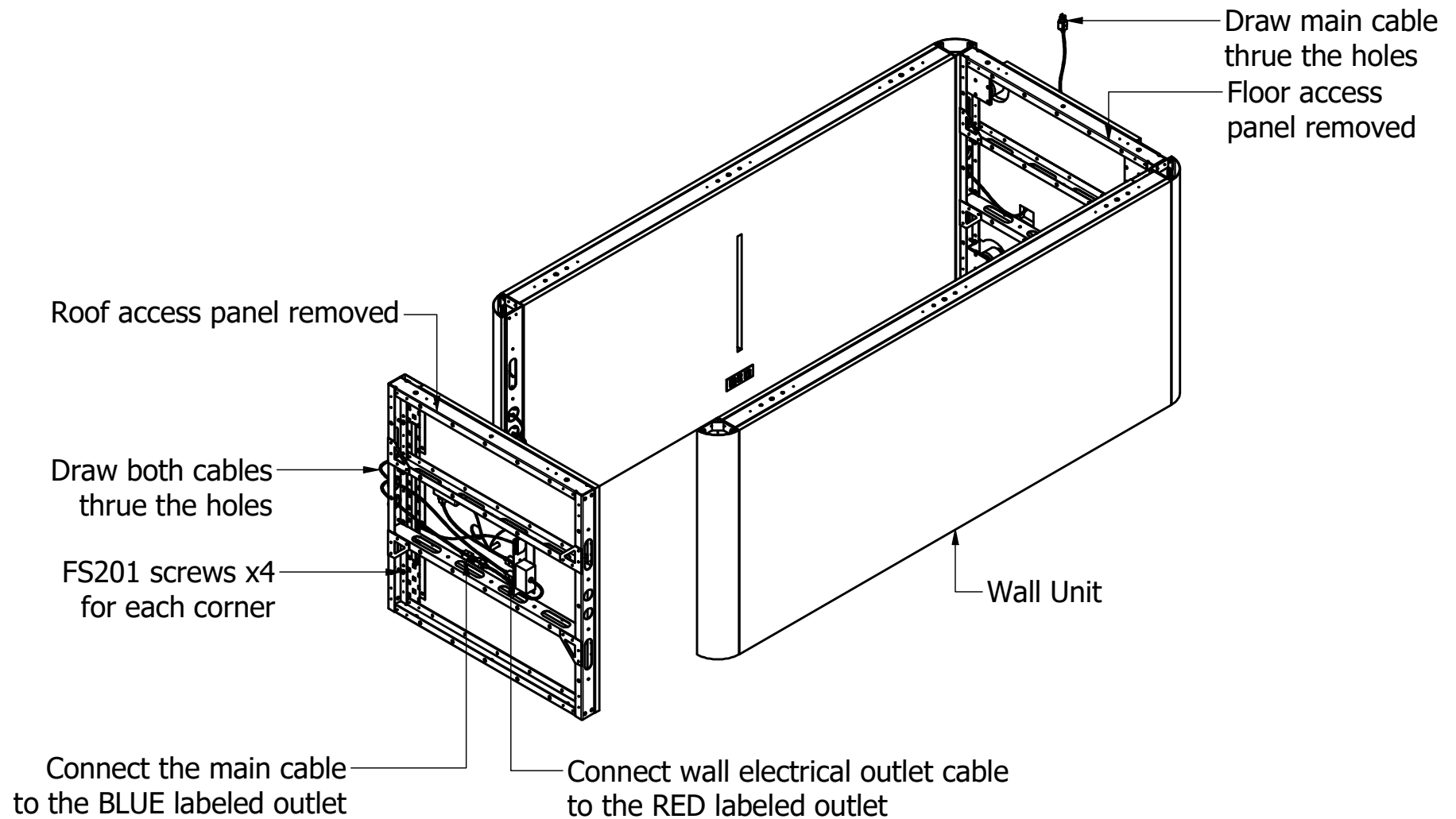


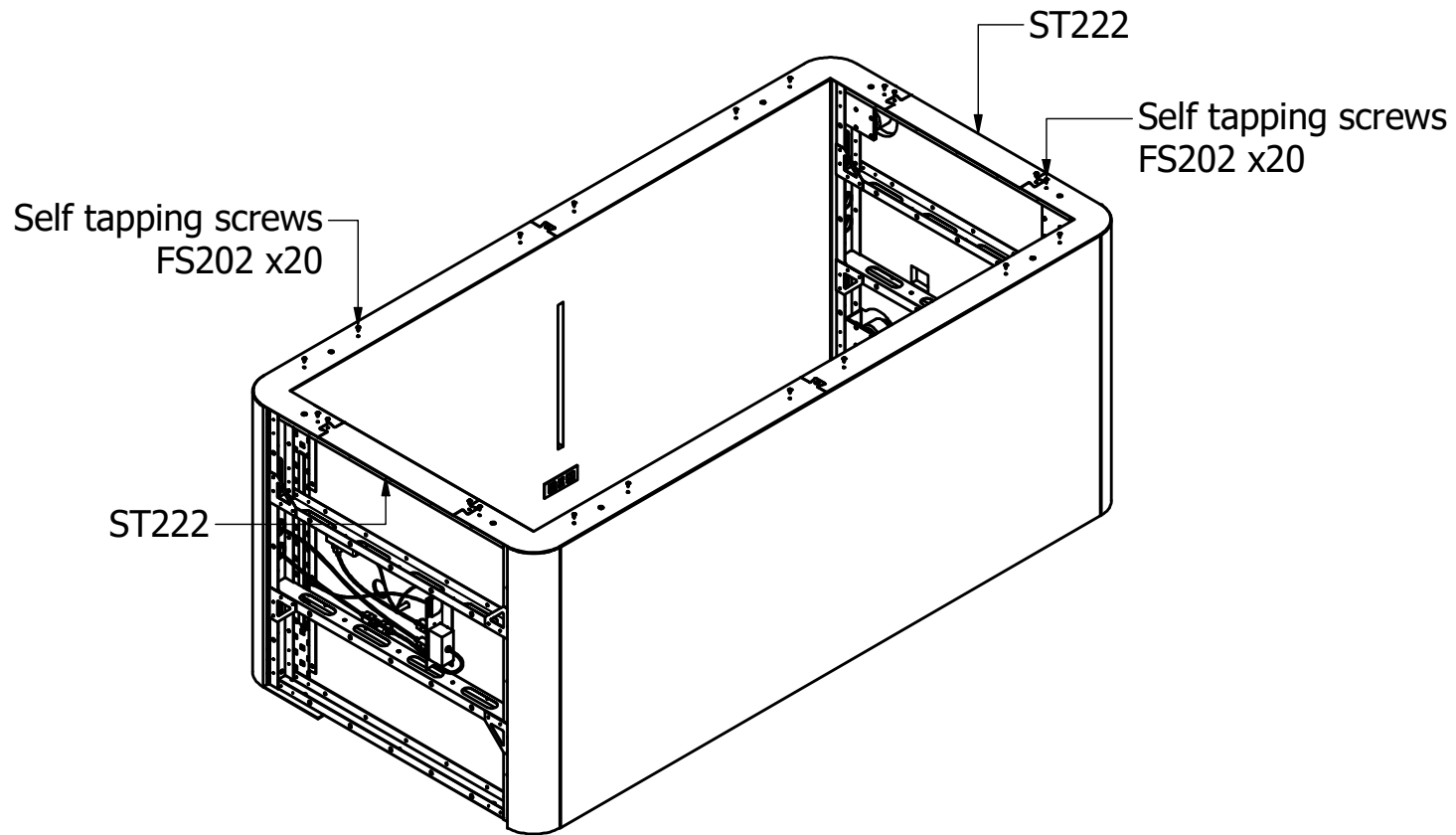
GL201 - Sidelight glass panel
 has 5 holes for assembly by
 M10 countersunk screw FS203
 with plastic socket cap FS204
 two pairs of holes for door hinges
 assembly

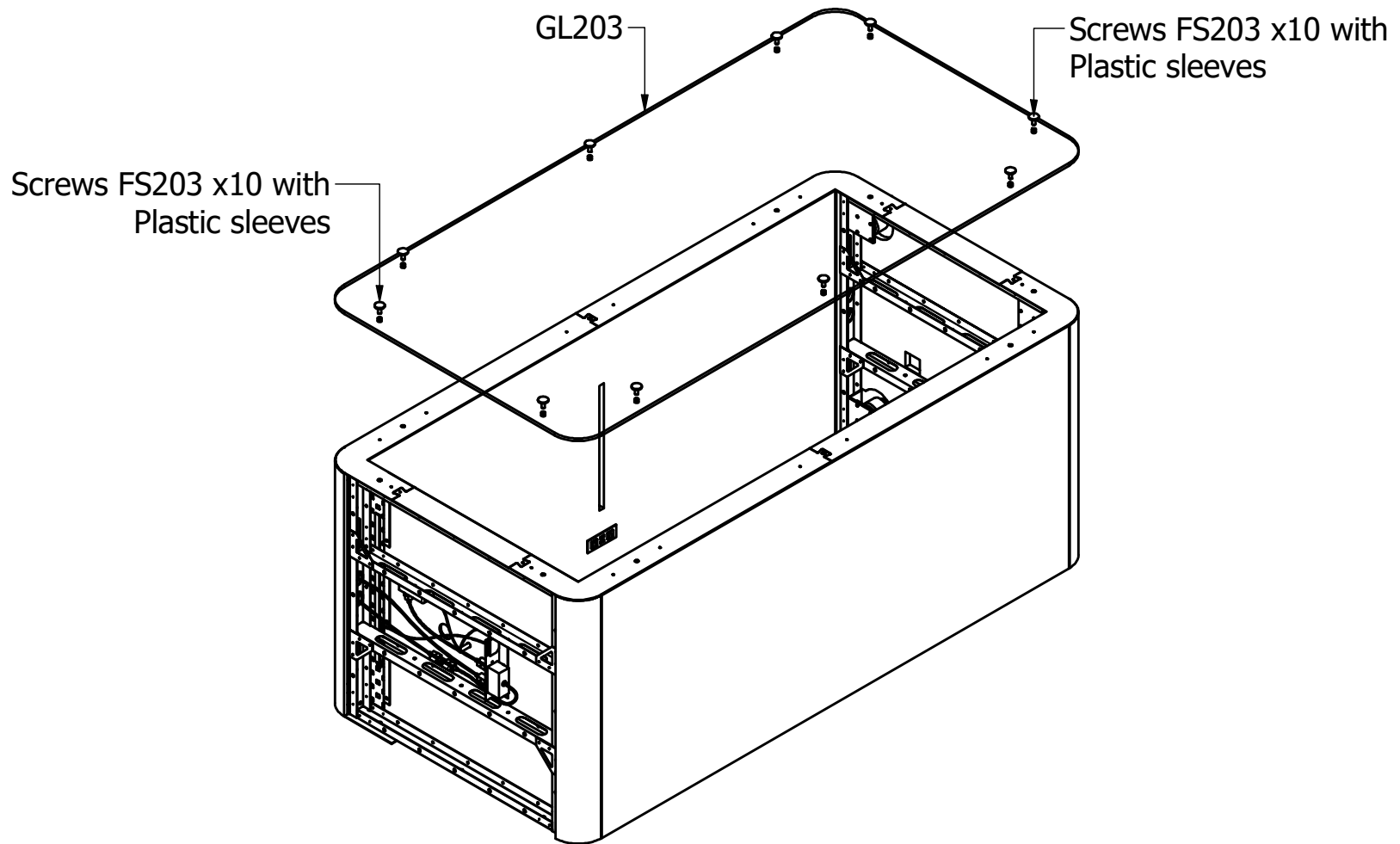
GL202 - Door glass panel
 has two pairs of holes for door hinges
 assembly
 pair of holes for handle
 three holes for magnets

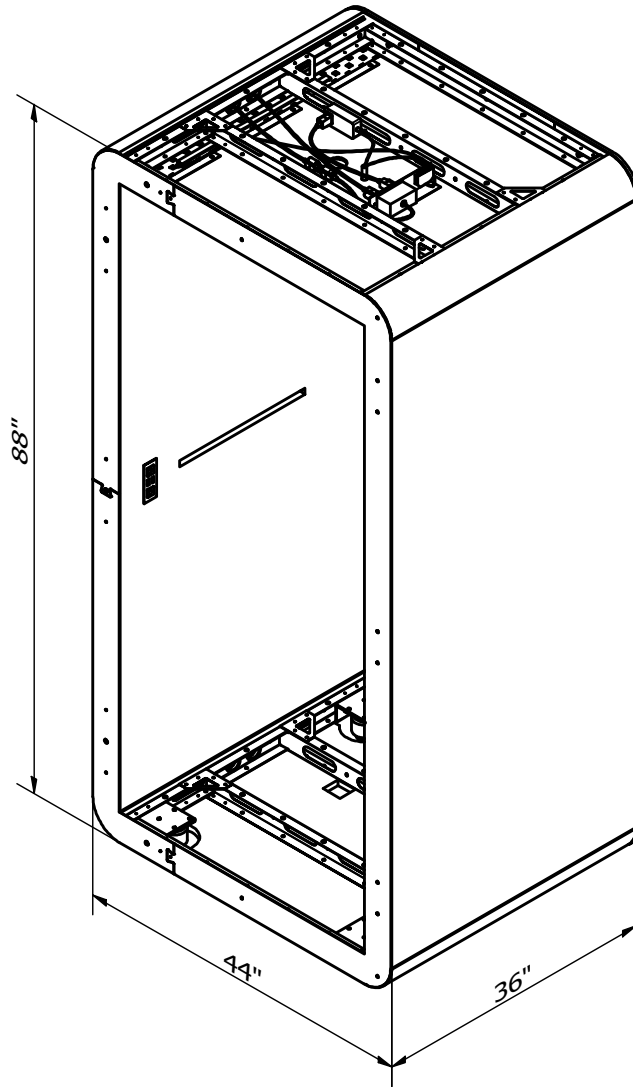
GL203 - Back glass panel
 has 10 holes for assembly by
 M10 countersunk screw FS203
 with plastic socket cap FS204











Ensure levelers have been retracted so that wheels are exposed. This will allow the unit to be rolled into its final installation location. Then level the unit.

