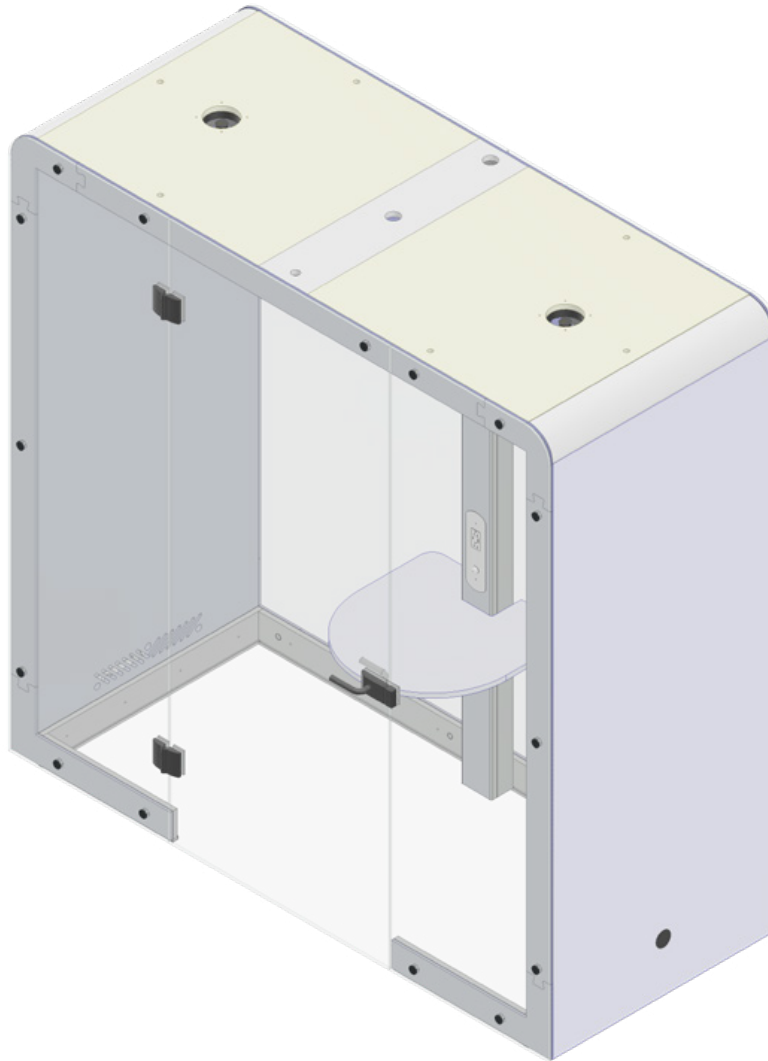


ASSEMBLY GUIDE



Kwe Floorless



FS201 x 30
Euro screw



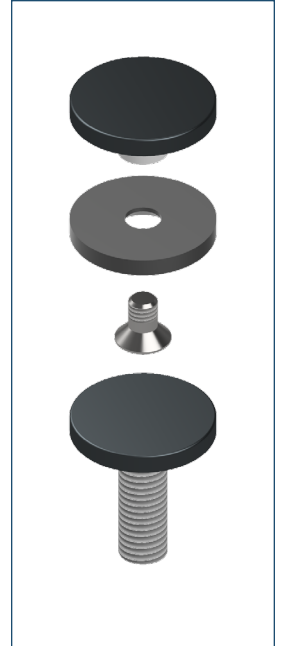
FS203 x 48
Self tapping screw



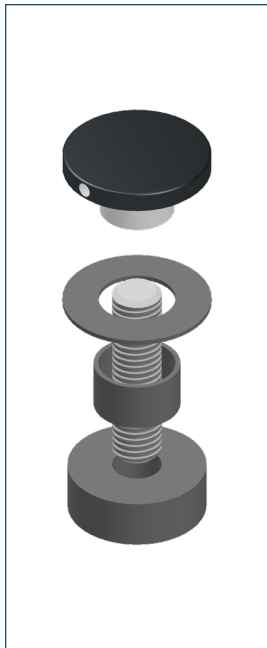
FS205 x 6
Wood screw



FS208 x 18
M10 machine screw



FS212 x 2
Door magnet set



FS213 x 28
M10 stand-off cap set



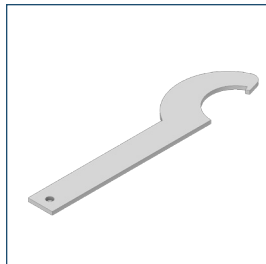
FS218 x 8
M10 steel hex nut



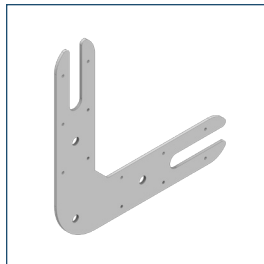
FS219 x 8
Plastic cap



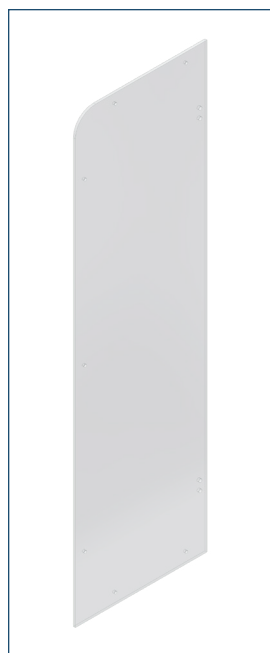
FS220 x 16
Self tapping screw



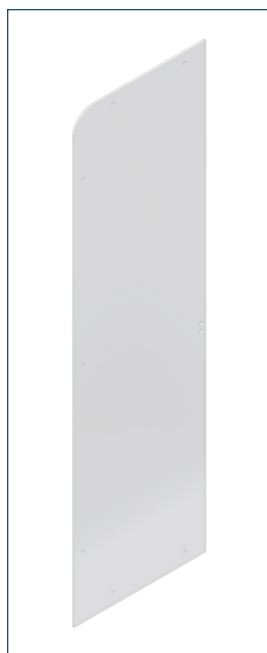
Stand-off cap key
x 2



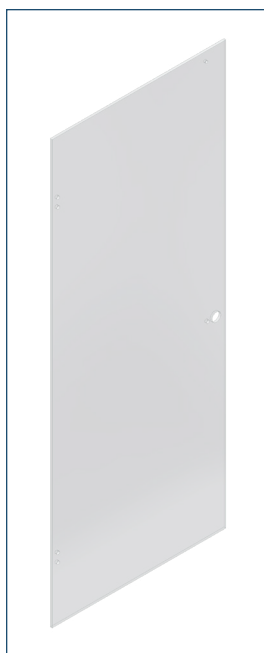
ST335 x 4
Units assembly
corner bracket



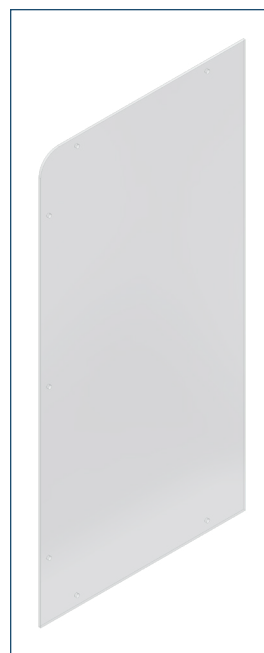
GL321 x 1
Hinges side of the front glass panel



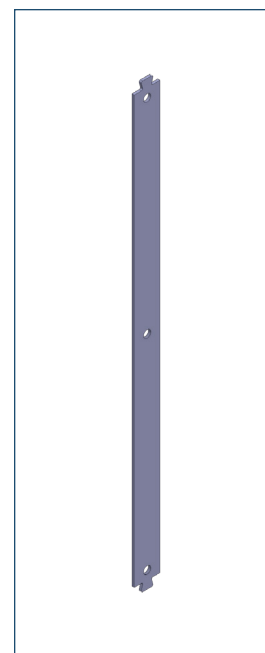
GL322 x 1
Receiving side of the front glass panel



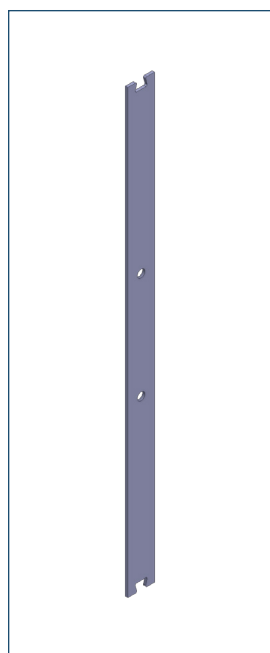
GL323 x 1
Glass door



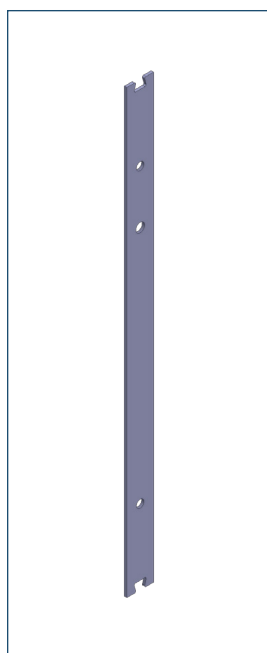
GL324 x 2
Rear glass panel



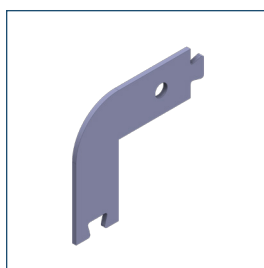
FT304 x 4
Acoustic cladding



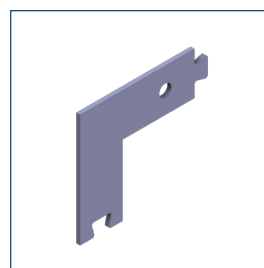
FT307 x 2
Acoustic cladding



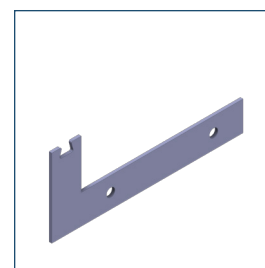
FT308 x 1
Acoustic cladding



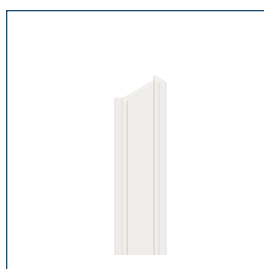
FT301 x 4
Acoustic cladding



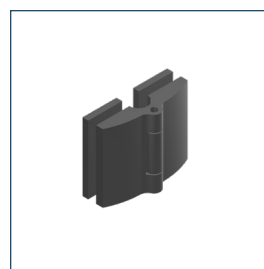
FT309 x 2
Acoustic cladding



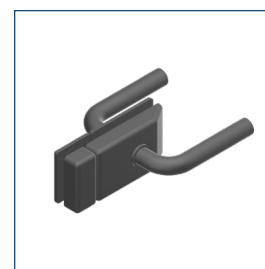
FT314 x 2
Acoustic cladding



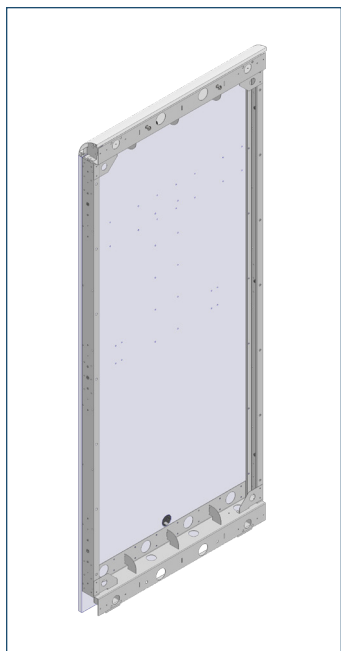
GA203 x 1
Butt glass gasket



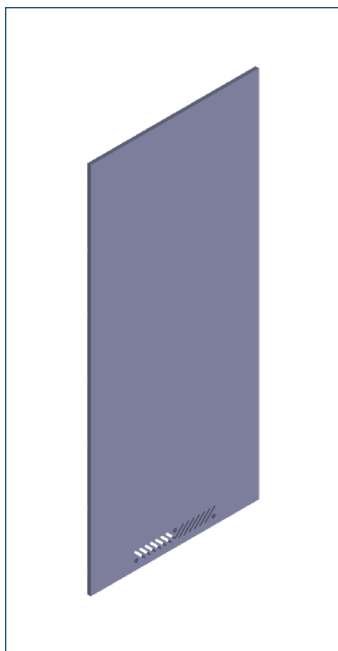
A_HW203 x 2
Door hinge x 2



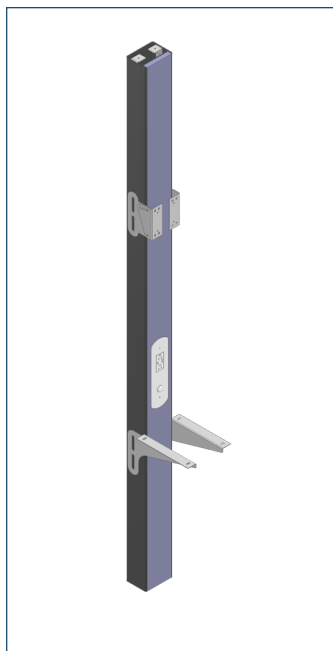
A_HW301 x 1
Door handle x 1



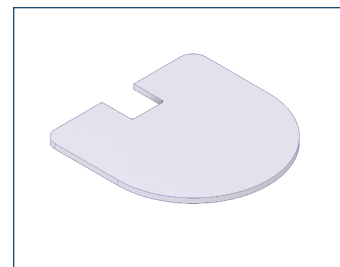
U_WL312 x 2
Wall unit



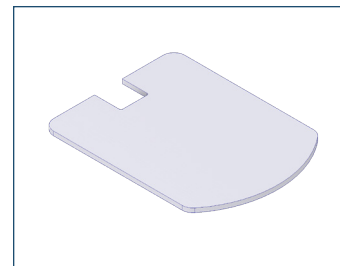
A_IN301 x 2
Accoustic interior panel



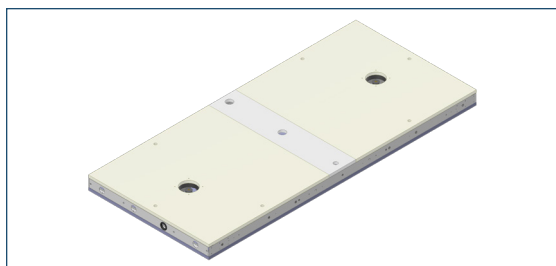
A_CN311
Central console assembly



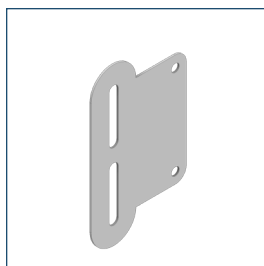
AC301 x 1
Work top



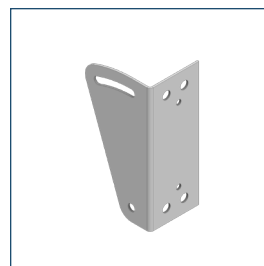
AC304 x 1
Work top (Kwe plus)



U_CL303 x 1
Ceiling unit (console assembly)



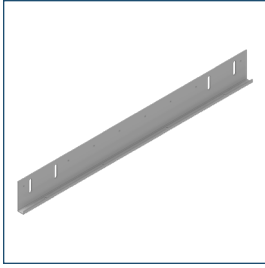
ST357 x 2
LCD mount bracket
by request



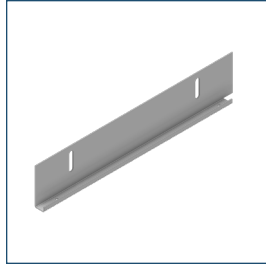
ST358 x 2
LCD mount bracket
by request



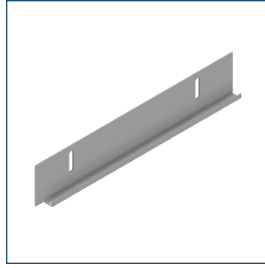
AC219 x 1
Supported leg
(Kwe plus)



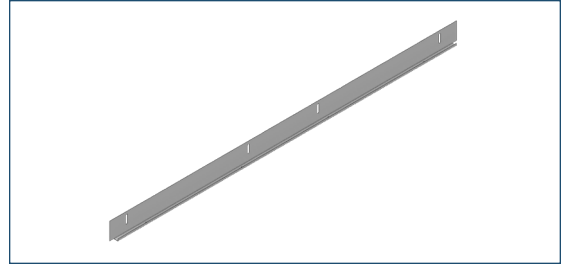
ST341 x 4
Base adjusted skirt
L36"



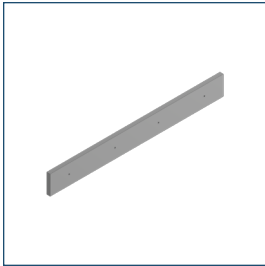
ST345 x 1
Base adjusted skirt
L22" (left)



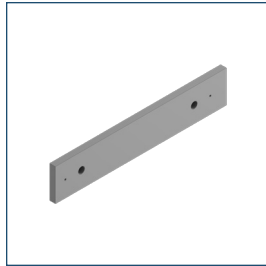
ST345 x 1
Base adjusted skirt
L22" (right)



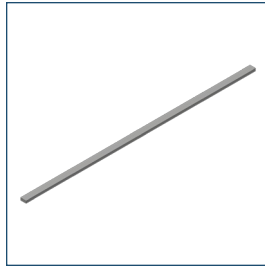
ST346 x 1
Base adjusted skirt L80"



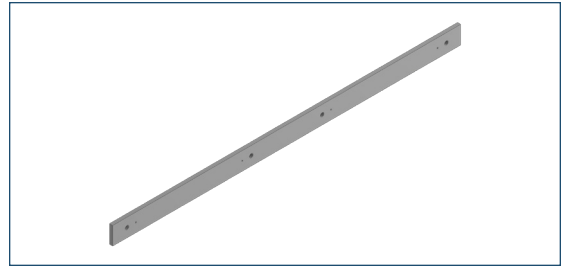
BB301 x 2
Decorative baseboard
L36"



BB305 x 2
Decorative baseboard
L22"

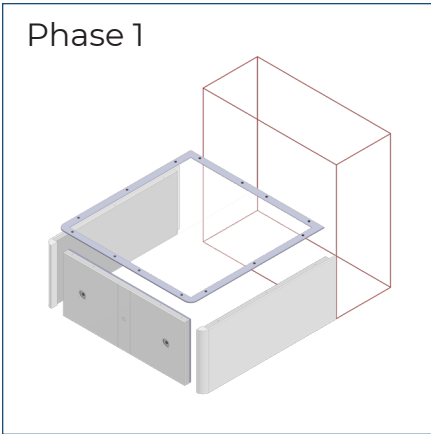


BB311
Decorative 'skirt' trim
to be cut on site

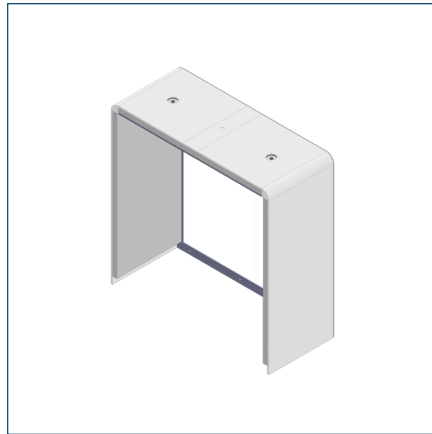


BB306 x 1
Decorative baseboard L80"

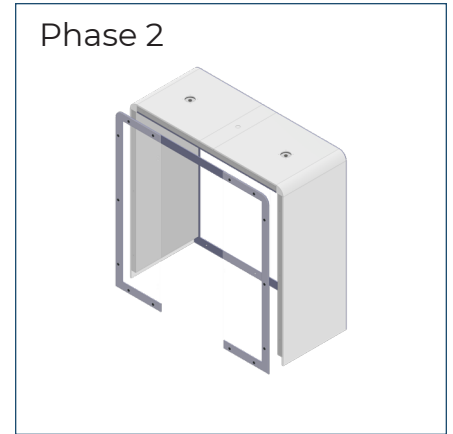
Intro (assembly scenario)



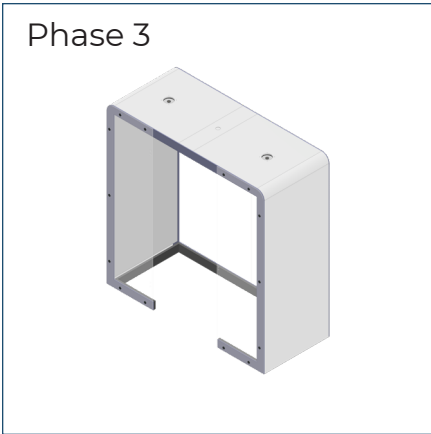
Rear segment assembly lay out on the ground. Remove acoustic interior panels



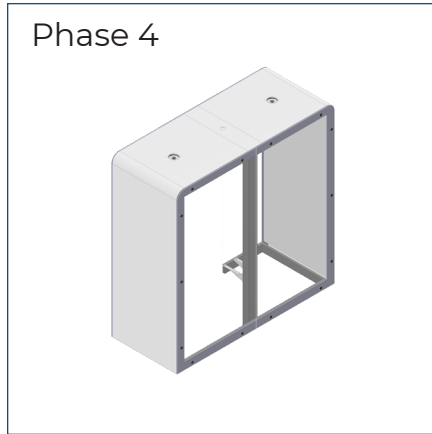
Raise up vertically assembled segment and locate properly



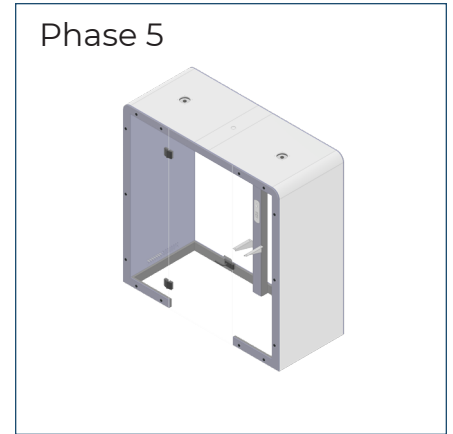
Assemble front glass panels
Level the unit



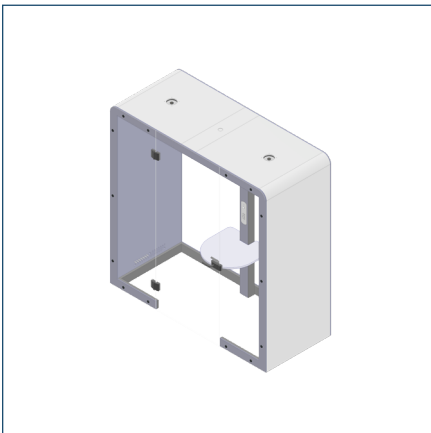
Complete base board assembly



Attach central console and cross connect the wires

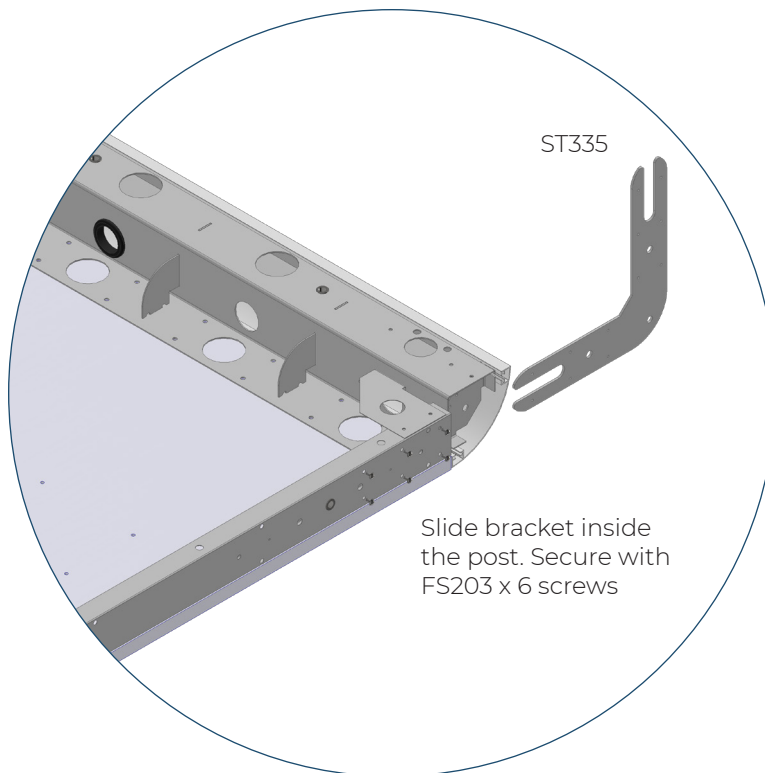
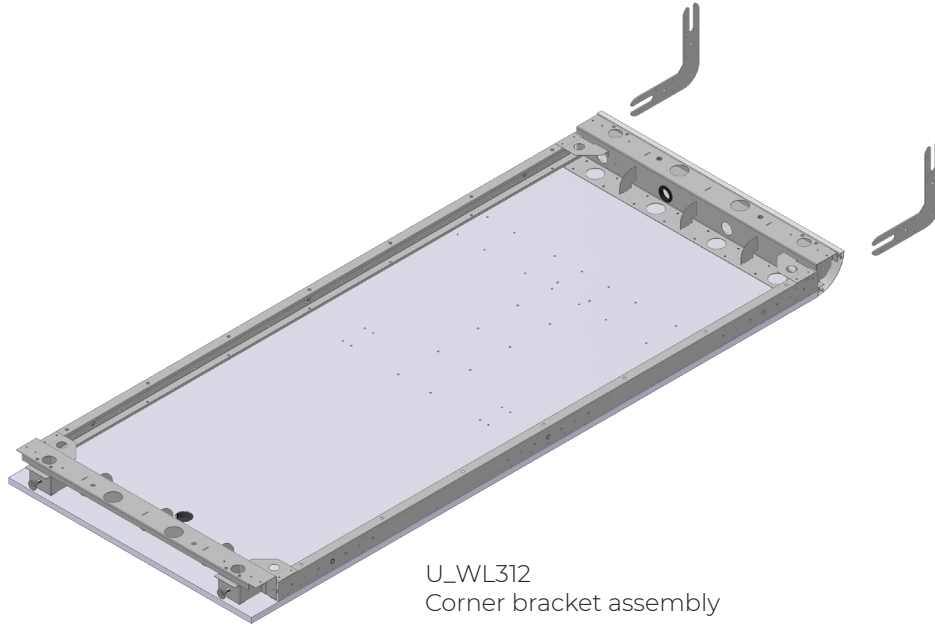


Assemble front glass door
Attach acoustic interior panels

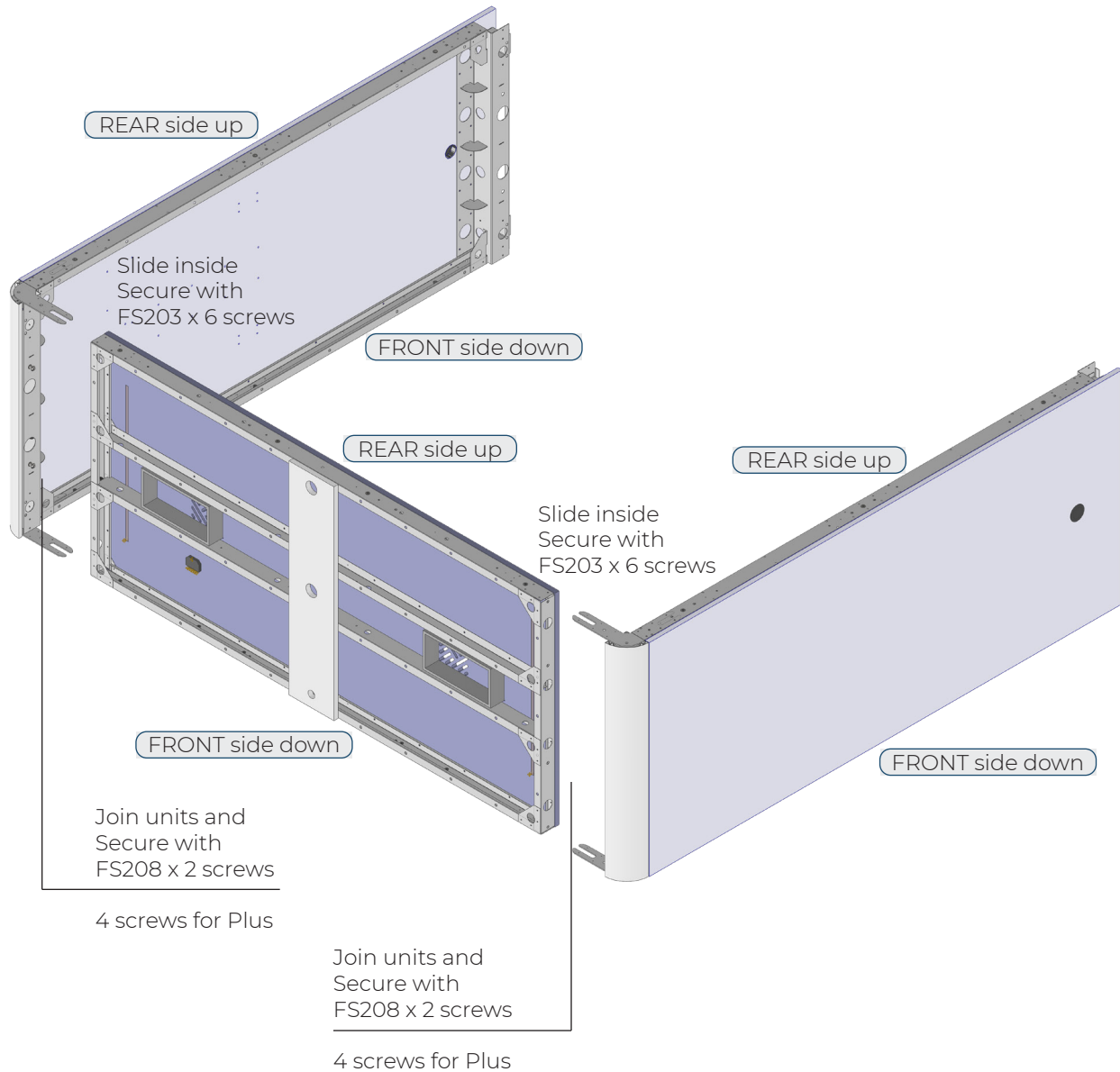


Mount work top, clean product

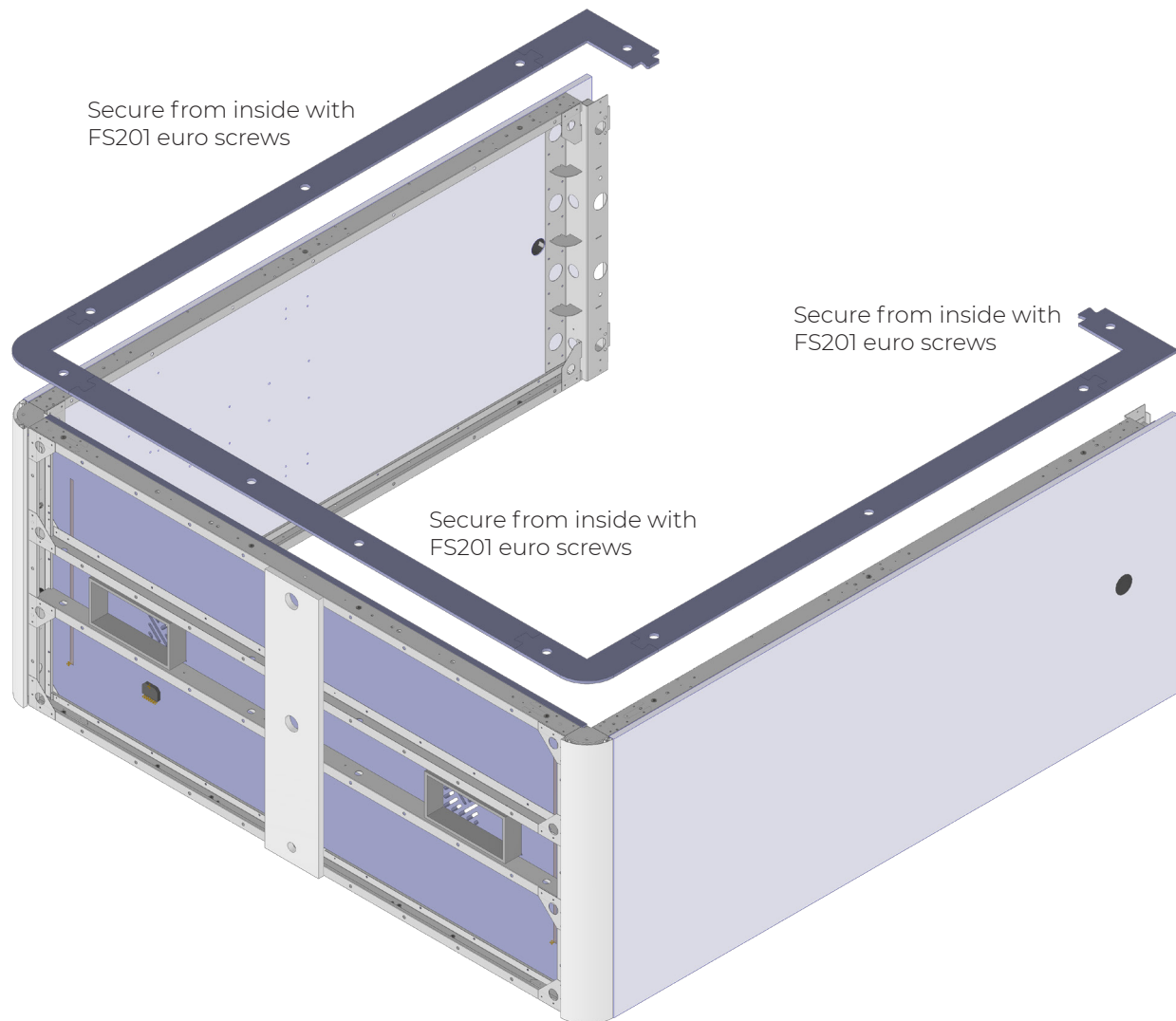
Wall units preparation



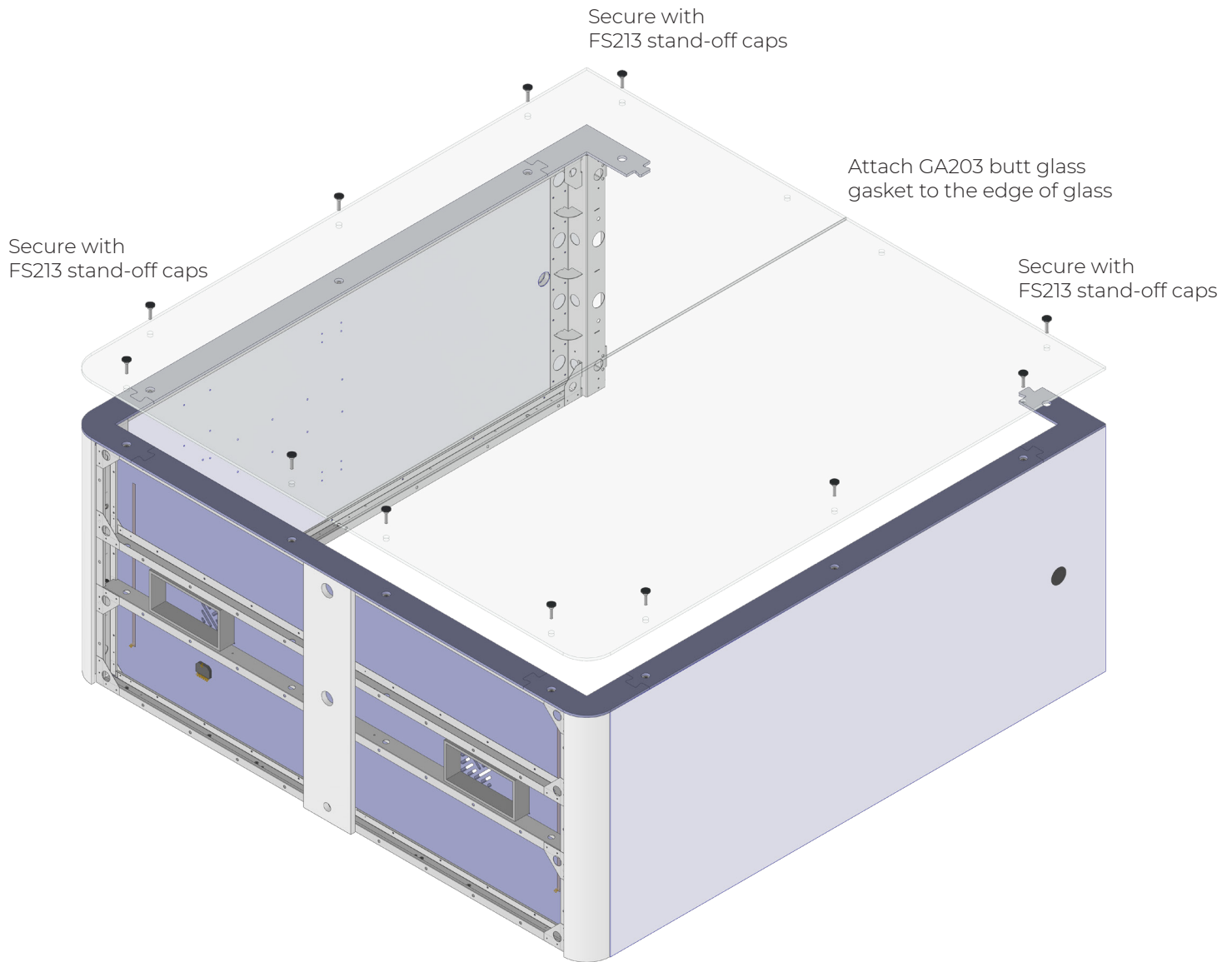
- lay out both wall units on the ground with “rear” side facing up
- slide in corner brackets and secure with FS203 screws on “rear” side only
- attach ceiling unit, ensuring “rear” side is facing up
- secure ceiling to wall using FS208 bolts.



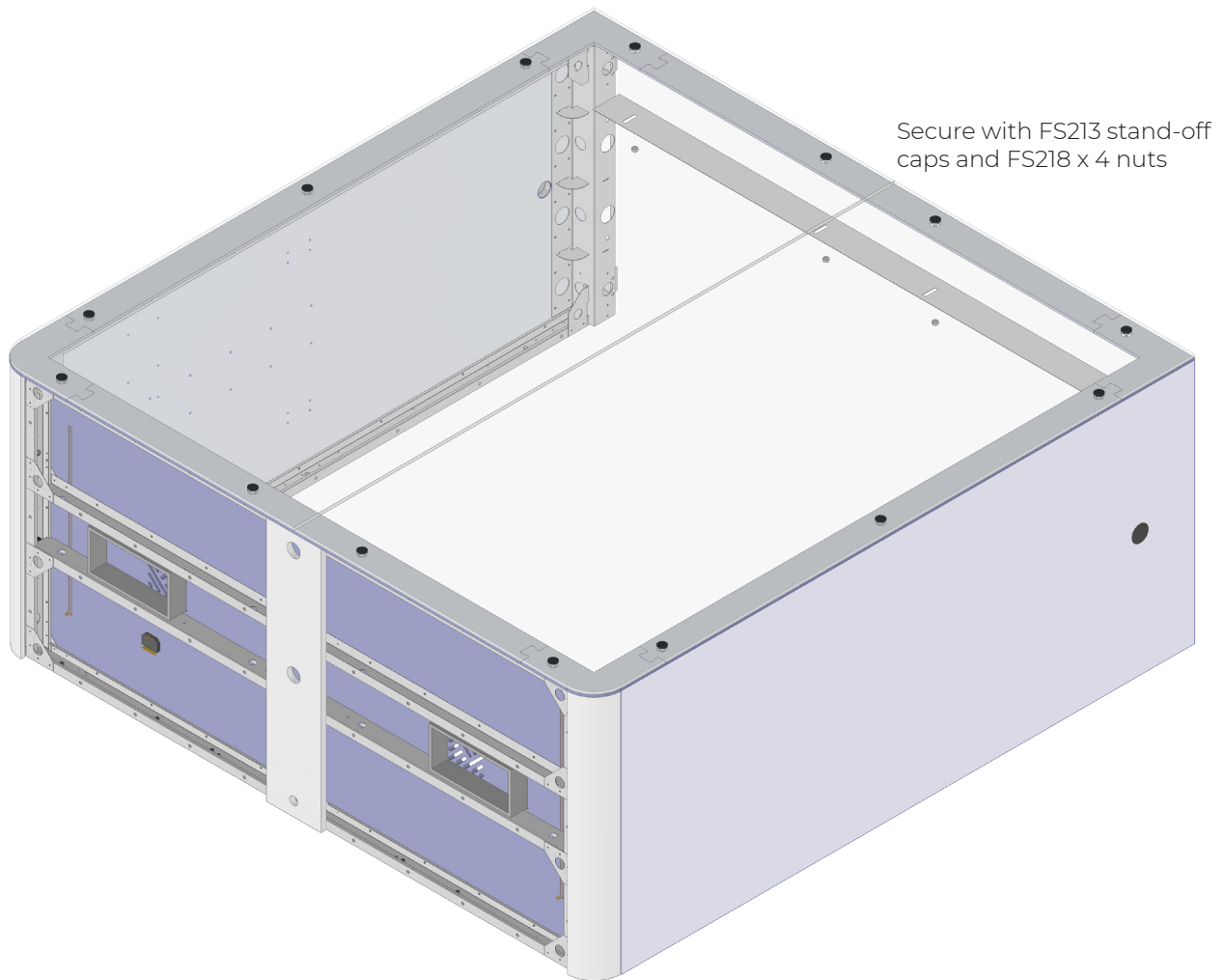
- while still on ground, lay the felt acoustic border on the edges of the unit, secure from inside with FS201 euro screws
- place rubber grommets in all the holes



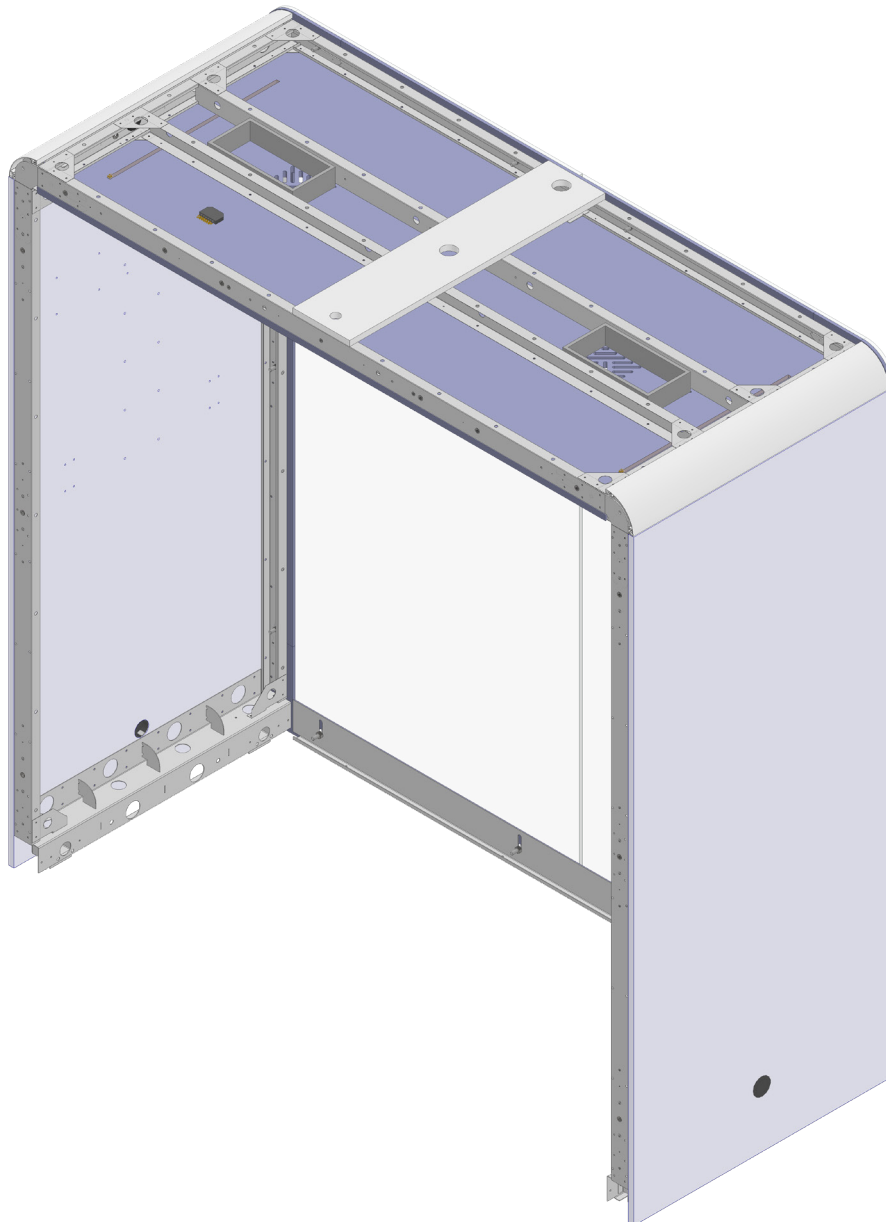
- attach 1 piece of rear glass to the unit and secure using FS213 screws with stand-off cap
- attach butt glass gasket to the edge of glass
- place other rear glass panel on the unit and secure using FS213 screws with stand-off cap



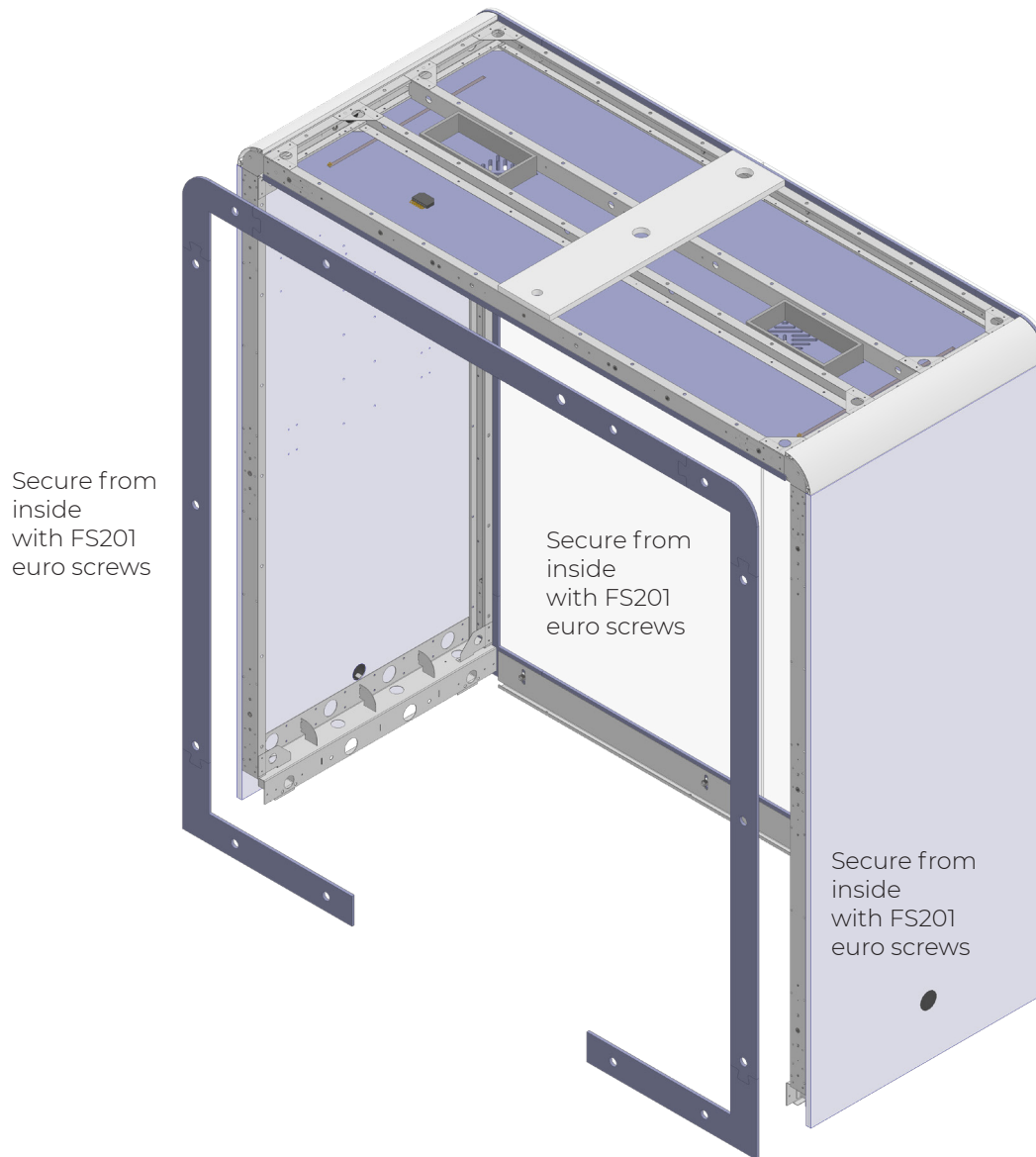
- install rear adjusted skirt and felt acoustic borders to the bottom of the unit with FS218 hex nuts
- adjust the glass and felt acoustic borders as needed, and tighten all FS213 screws with stand off caps
- stand the unit up vertically



- stand the unit up vertically
- secure corner brackets with FS203 screws on “front” side



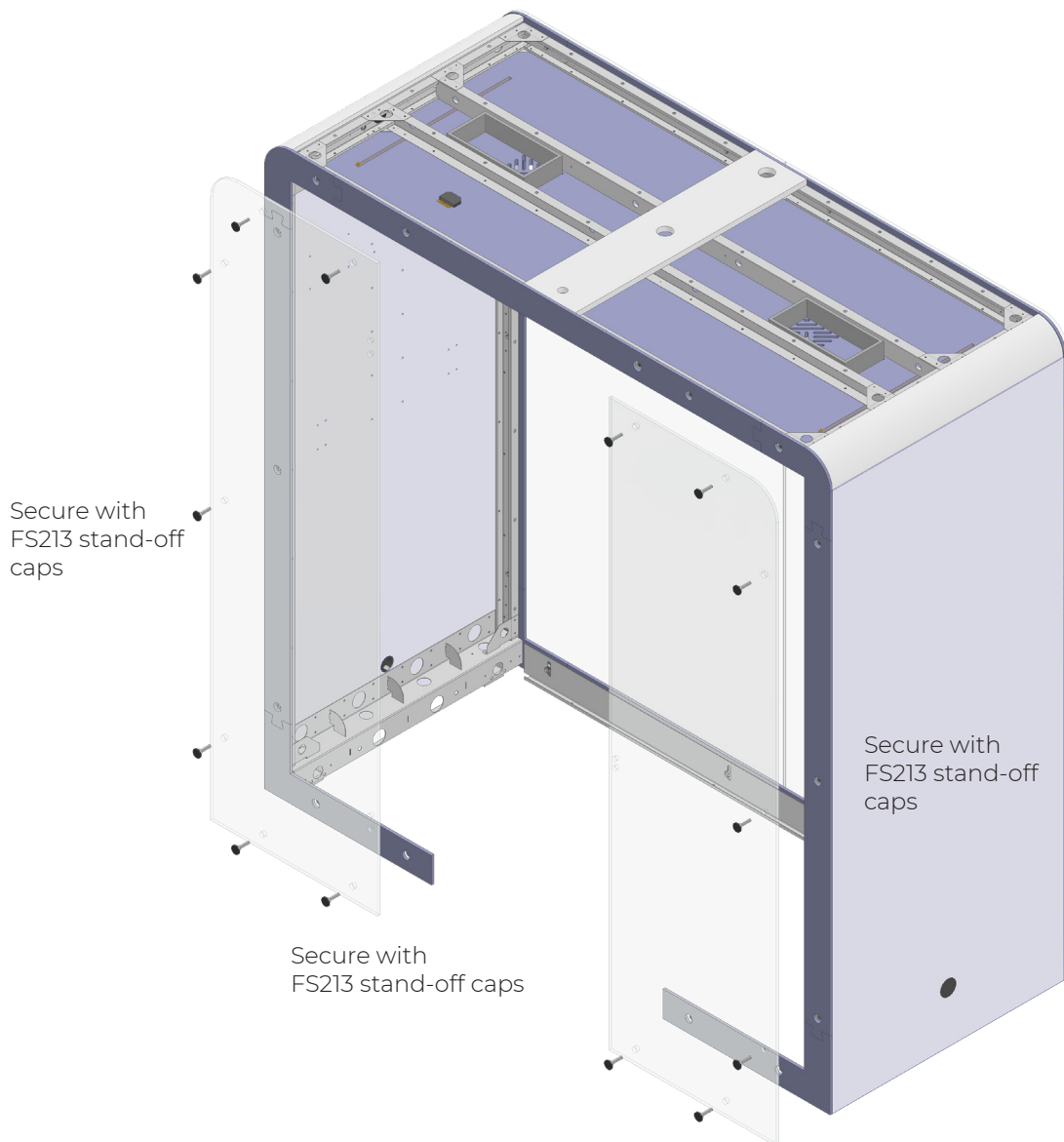
- attach the felt acoustic border on the edges of the unit, secure from inside with FS201 euro screws
- place rubber grommets in all the holes



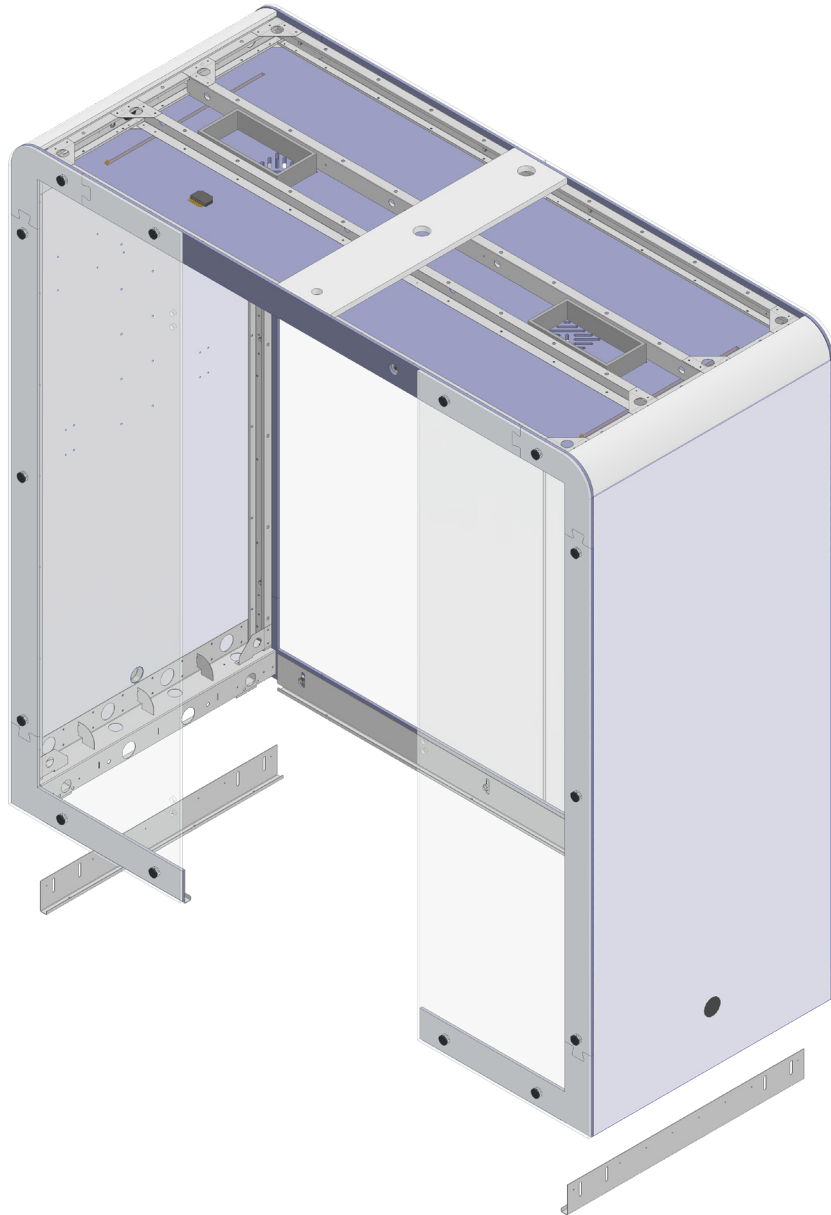
- attach 1 piece of front sidelight glass to the unit and secure using FS213 screws with stand-off cap
- place other front sidelight glass panel on the unit and secure using FS213 screws with stand-off cap

NOTE - DOOR SWING DIRECTION:

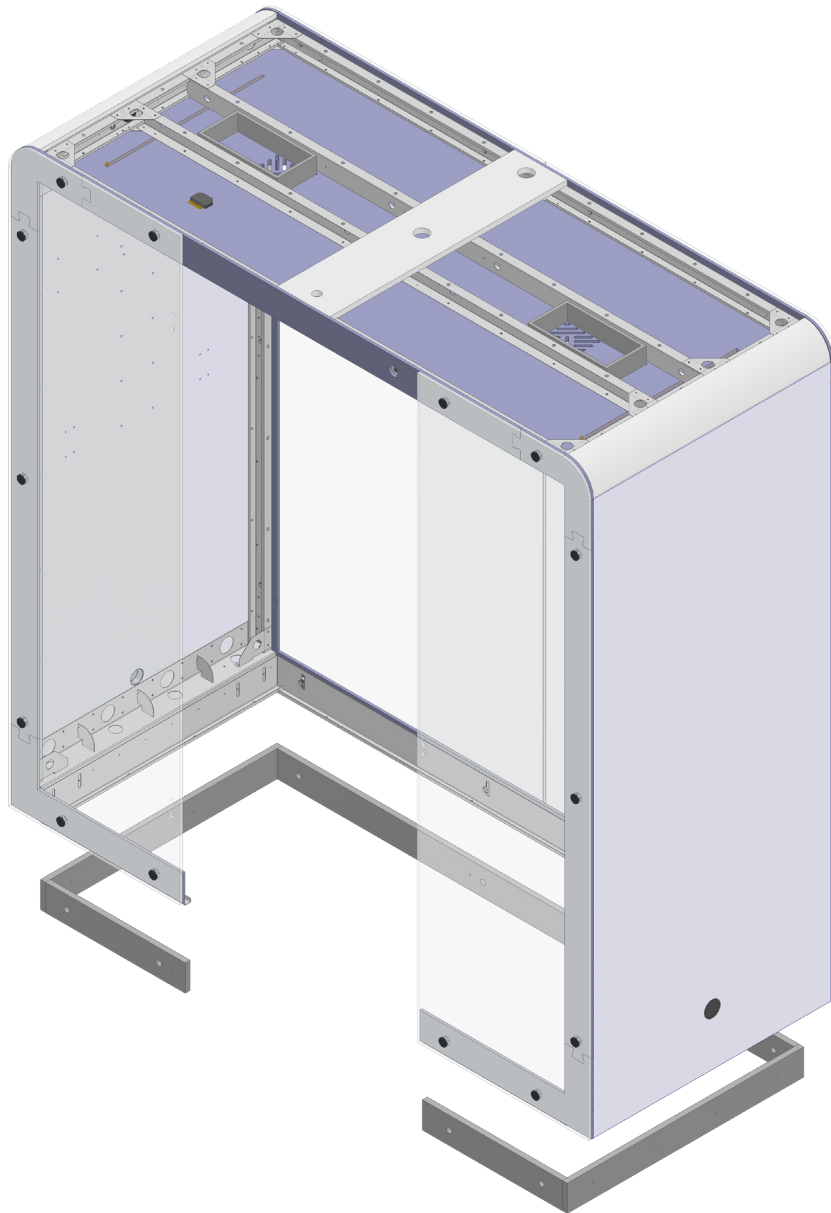
When installing the front glass, take note of the hinge hole placement in the 2 front glass segments. Install the glass segments accordingly to determine proper door swing direction.



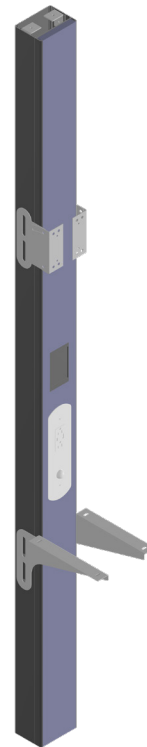
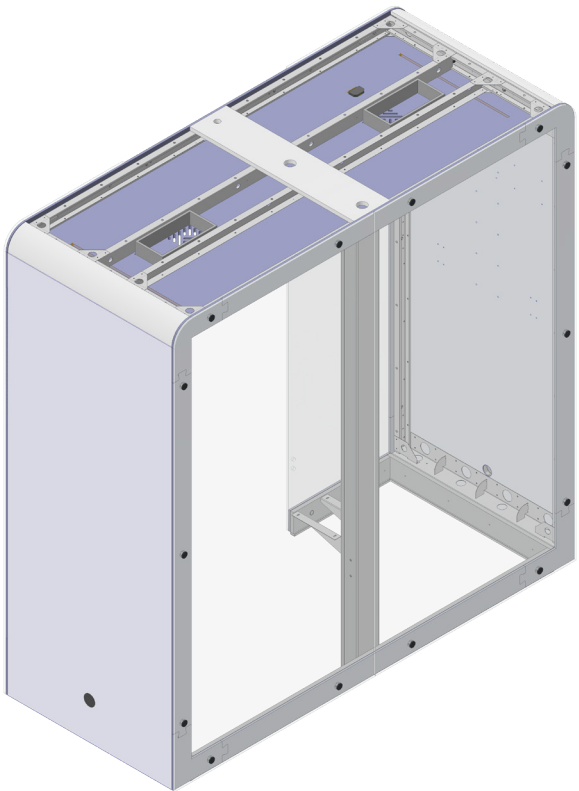
- attach the rest ST341 x 2 adjusted “skirts”
- start to level the unit using the leveler bolts
- ensure that the booth is plumb vertically
- secure adjusted “skirts” on sides with self tapping screws
- then anchor the adjusted “skirts” to the floor with dowels and screws



- attach all decorative boards to face of adjusted “skirts”
- secure with FSFS220 self tapping screws
- plug FS219 plastic cups to conceal the M10 nuts
- trim the BB313 to size to conceal floor anchored bolts



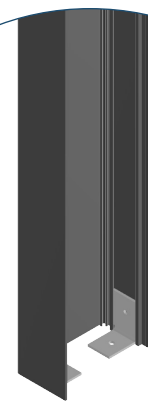
- locate central console (AL211 aluminum profile) in the middle of booth close to rear glass panel
- run output wires and input cable through the ceiling
- snap face panel (AL212 aluminum profile with mount power hub).
- mount console using FS205 screws
- mount work top cantilivers using FS208 - M10 machine screws



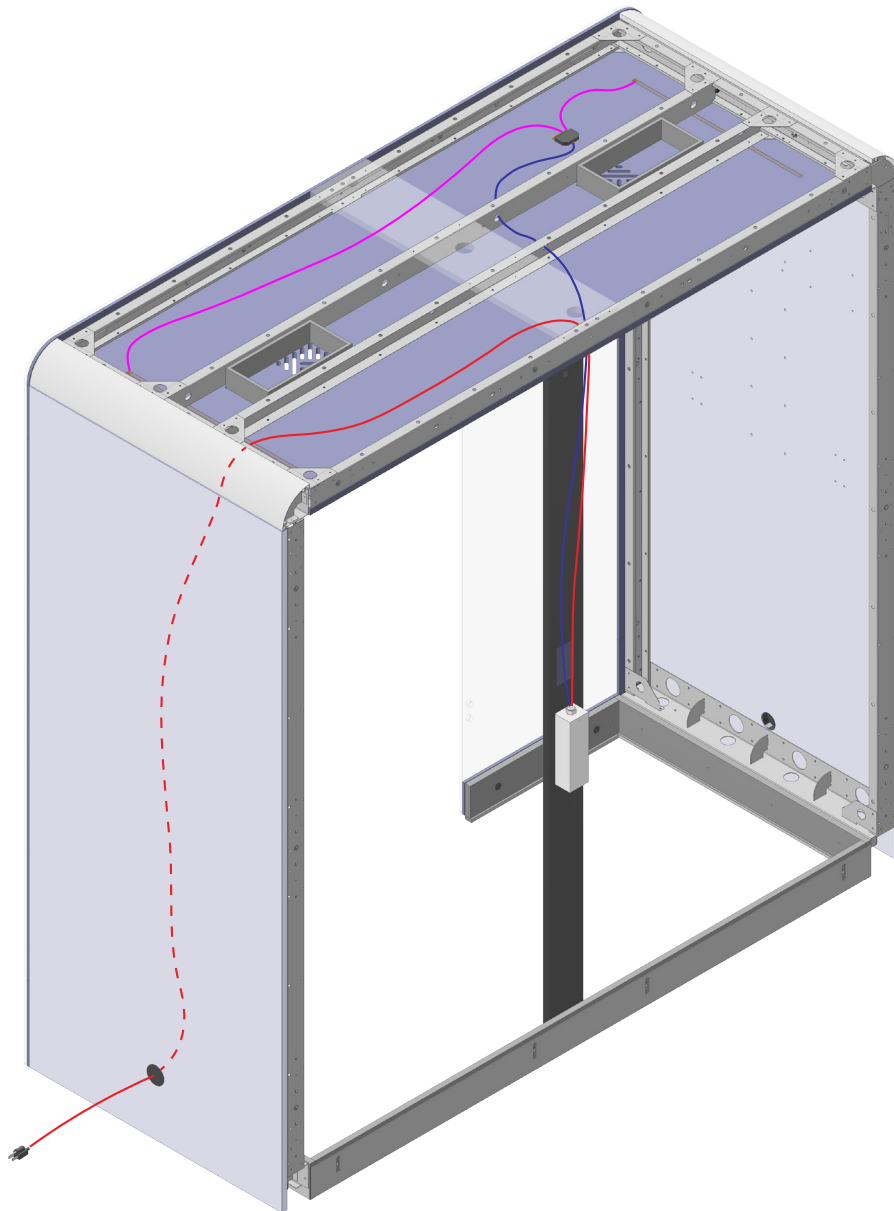
Secure from inside with
FS205 screws



Secure from inside with
FS205 screws



- run output wires and input cable through the ceiling
- connect wires to the splitter at the ceiling
- connect lights and speakers (optional) to the splitter
- run input cable inside the wall down through plastic cap out
- put the roof panels on top and connect all fans to the splitter

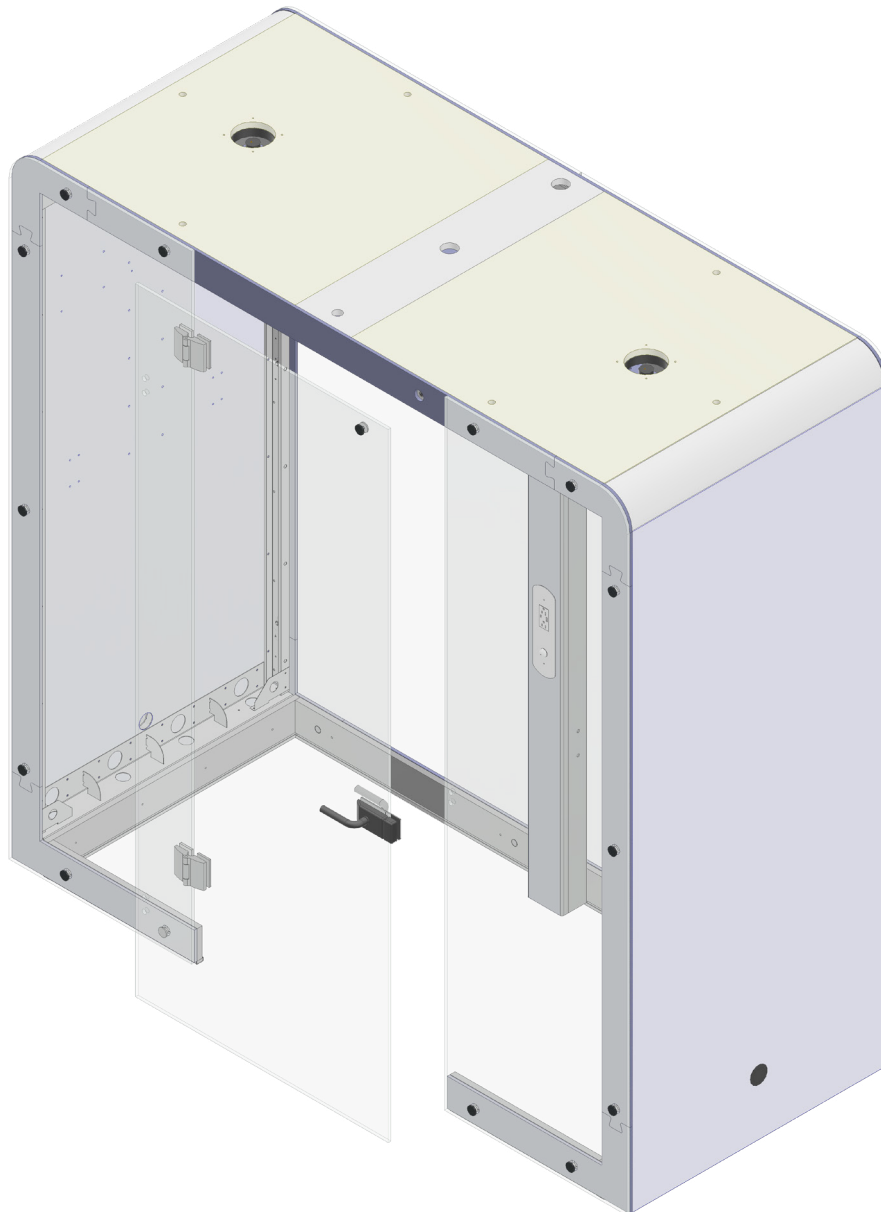


Once your side glass is installed you are able to mount your door. Be sure to install the silicon sleeves on every screw that goes through the glass unit.

Step 1: Get one hinge and one back plate with silicon sleeve and rubber spacer. Place the back plate to the inside of the unit where the pre drilled hole is located in glass and place the hinge on the exterior side of the same holes. Use screws provided in the hinge box to fasten the two pieces together. Do not over tighten at this point, leave it so you have some room to adjust the door. Do the same to install the second hinge.

Step 2: Bring the door up to both hinges and repeat steps to mount the door glass to the hinge. Snug the door to the hinges while supporting the door. Have one person inside the unit and one person on the exterior of the unit. Gently close the door making sure not to chip or mar the glass. Check for alignment and level while still supporting the door and once satisfied have the person on the interior tighten the screw M6 .

Step 3: Install cover plate on the interior to the glass backer plate use the Allan key provided in the hinge box to install this plate.



- attach interior acoustic panels
- mount work top supported cantilevers to console
- mount supported leg using wood screws (Kwe plus)

