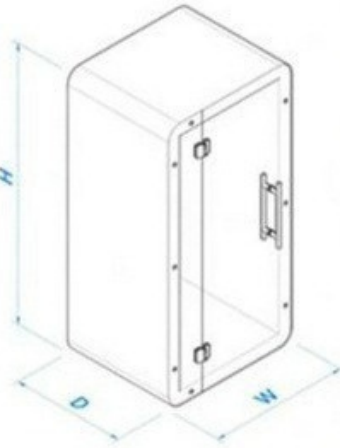




Because Privacy Matters



Kubebooth Technical Data Sheet - KSelfi



Easy to Install

Size Overall - W: 44" - D: 37" - H: 88"
Inside - W: 36" - D: 36" - H: 80"

Weight
 800 lbs/362 kg

Glass
 10mm clear tempered
 Ceramic painted borders

Door - H: 88" x W: 32"
Rear Panel - H: 88" x W: 44"
Front Side Panel - H: 88" x W: 12"

Moveable

Acoustics
 NIC rating of 36 dB certified
 Noise cancellation technology

Air Exchange
 100 complete air changes per hour

Data Center
 UL approved
 1 USB A port, 1 USB C port
 2 Simplex outlets
 Motion detector (controls light & fan)

Plug & Play

Mobility Kit
 Includes casters with fasteners

Light
 12V LED light bar with magnet
 570mm/pcs super light bar, 3500K, 12VDC

Sprinkler
 Pre-engineered knockout hole for 3rd party sprinkler installation

Power Cord
 10ft cord 120V/15Amp

Wall Construction
 Galvanized steel frames
 Sound insulation in all cavities

Finishes
 D-pull handle
 TFL surface
 CARB certified (zero/low formaldehyde emissions)
 Aluminum hardware painted

Carpet
 Shaw Commercial Philadelphia Ayers Hall II or equal
 Solution dyed polypropylene 28 oz, 10 gauge
 GreenGuard certified GLP8472 <450 NBS smoke

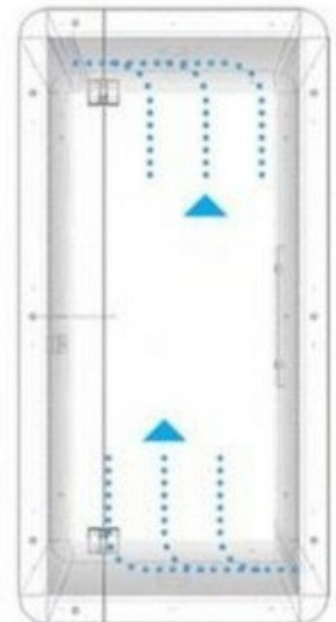
Floor Ceiling
 Substructure rated MDF on unitized steel base

Reversible Door
 Fully interchangeable left or right opening

Worktop
 White or black laminate wood worktop
 W: 20" x L: 12"
 Installed at an optimum height of 40"

Felt
 Interior sound absorption panels
 60% recyclable

Options
 Seismic bracing
 One touch LCD control panel
 LCD TV mount bracing
 White glass board - W: 34" x L: 30"
 Personalized company branding
 Ethernet ports
 Bluetooth speaker
 Frosted film glass
 External fire extinguisher unit
 Occupancy lights



*Air Flow Diagram





Because Privacy Matters



Kubebooth Technical Data Sheet - KSelfi Plus

Easy to Install

Size Overall - W: 56" - D: 48" - H: 88"
Inside - W: 48" - D: 47" - H: 80"

Weight
1000 lbs/453 kg

Glass
10mm clear tempered
Ceramic painted borders
Door - H: 88" x W: 32"
Front Side Panels - H: 88" x W: 12"

Moveable

Acoustics
NIC rating of 36 dB certified
Noise cancellation technology

Air Exchange
100 complete air changes per hour

Data Center
UL approved
1 USB A port, 1 USB C port
2 Simplex outlets

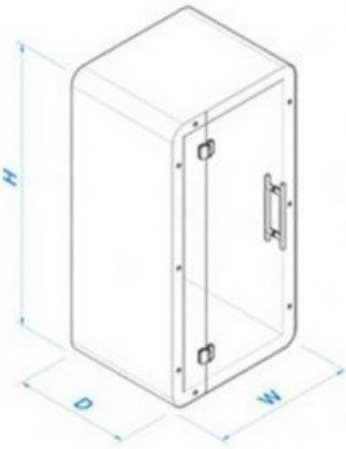
Plug & Play

Mobility Kit
Includes casters with fasteners

Light
12V LED light bar with magnet
570mm/pcs super light bar, 3500K, 12VDC

Sprinkler Pre-engineered knockout hole for 3rd party sprinkler installation

Power Cord
10ft cord 120V/15Amp



Wall Construction

Galvanized steel frames
Sound insulation in all cavities

Finishes

D-pull handle
TFL surface
CARB certified
(zero/low formaldehyde emissions)
Aluminum hardware painted

Carpet

Shaw Commercial Philadelphia Ayers Hall II or equal
Solution dyed polypropylene 28 oz, 10 gauge
GreenGuard certified GLP8472 <450 NBS smoke

Floor Ceiling

Substructure rated MDF on unitized steel base

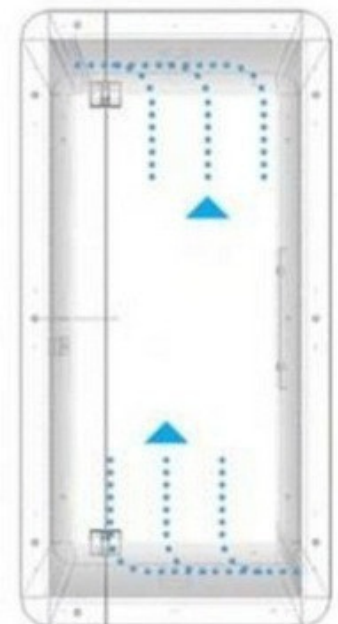
Reversible Door

Fully interchangeable left or right opening

Felt Interior sound absorption panels 60% recyclable

Options

Seismic bracing
One touch LCD control panel
LCD TV mount bracing
White glass board - W: 34" x L: 30"
Personalized company branding
Ethernet ports
Bluetooth speaker
Frosted film glass
External fire extinguisher unit
Occupancy lights



*Air Flow Diagram





Because Privacy Matters



Kubebooth Technical Data Sheet - Kme

Easy to Install

Size Overall - W: 88" - D: 37" - H: 88"
Size Inside - W: 80" - D: 36" - H: 80"

Weight
1200 lbs/544 kg

Glass
10mm clear tempered
Ceramic painted borders
Door - H: 88" x W: 32"
Rear Panel - H: 88" x W: 44"
Front Side Panels - H: 88" x W: 28"

Reversible Door

Fully interchangeable left or right opening

Floor Ceiling

Substructure-rated MDF on unitized steel base.

Felt

Interior sound absorption panels
60% recyclable

Options

Seismic bracing
One touch LCD control panel
LCD TV mount bracing
White glass board - W: 34" x L: 30"
Personalized company branding
Ethernet ports
Bluetooth speaker
Frosted film glass
External fire extinguisher unit
Occupancy lights

Moveable

Acoustics
NIC rating of 36 dB certified
Noise cancellation technology

Air Exchange
100 complete air changes per hour

Data Center

UL approved
1 USB A port, 1 USB C port
2 Simplex outlets
Motion detector (controls light & fan)

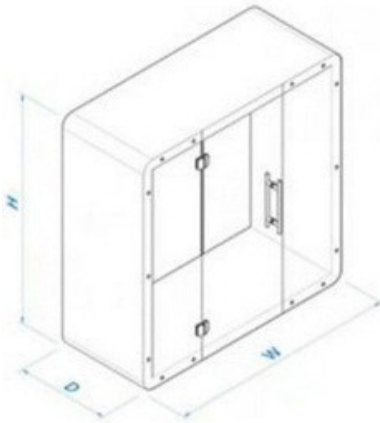
Plug & Play

Mobility Kit
Includes casters with fasteners

Light
12V LED light bar with magnet
570mm/pcs super light bar, 3500K, 12VDC

Sprinkler Pre-engineered knockout hole for 3rd party sprinkler installation

Power Cord
10ft cord 120V/15Amp



Wall Construction

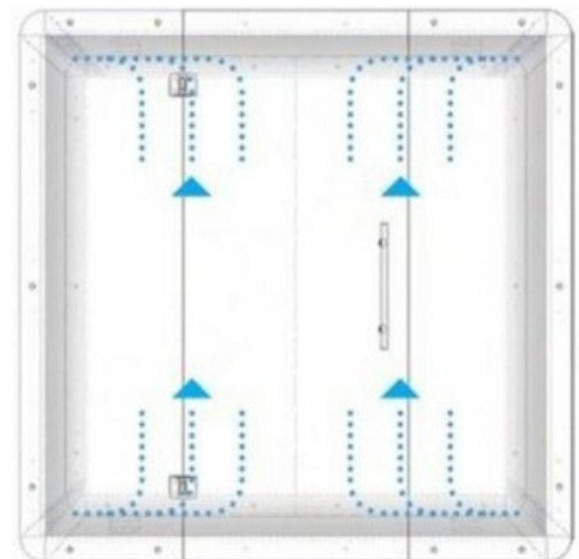
Galvanized steel frames
Sound insulation in all cavities

Finishes

D-pull handle
TFL surface
CARB certified (zero/low formaldehyde emissions)
Aluminum hardware painted

Carpet

Shaw Commercial Philadelphia Ayers Hall II or equal
Solution dyed polypropylene 28 oz, 10 gauge
GreenGuard certified GLP8472 <450 NBS smoke



*Air Flow Diagram





Because Privacy Matters



Kubebooth Technical Data Sheet - Kme Plus

Easy to Install

Size Overall - W: 88" - D: 48" - H: 88"
88" Inside - W: 80" - D: 47" - H: 80"

Weight
1525 lbs/692 kg

Glass
10mm clear tempered
Ceramic painted borders
Door - H: 88" x W: 32"
Rear Panel - H: 88" x W: 44"
Front Side Panels - H: 88" x W: 28"

Reversible Door

Fully interchangeable left or right opening

Floor Ceiling

Substructure-rated MDF on unitized steel base.

Felt

Interior sound absorption panels
60% recyclable

Options

Seismic bracing
One touch LCD control panel
LCD TV mount bracing
White glass board - W: 34" x L: 30"
Personalized company branding
Ethernet ports
Bluetooth speaker
Frosted film glass
External fire extinguisher unit
Occupancy lights

Moveable

Acoustics
NIC rating of 36 dB certified
Noise cancellation technology

Air Exchange
100 complete air changes per hour

Data Center

UL approved
1 USB A port, 1 USB C port
2 Simplex outlets
Motion detector (controls light & fan)

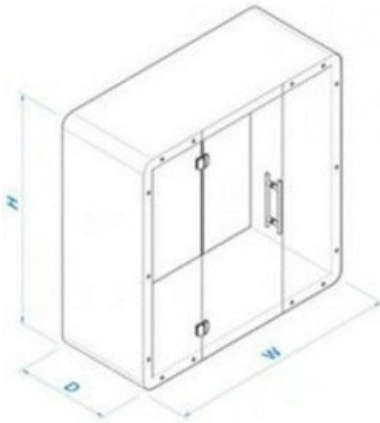
Plug & Play

Mobility Kit
Includes casters with fasteners

Light
12V LED light bar with magnet
570mm/pcs super light bar, 3500K, 12VDC

Sprinkler Pre-engineered knockout hole for 3rd party sprinkler installation

Power Cord
10ft cord 120V/15Amp



Wall Construction

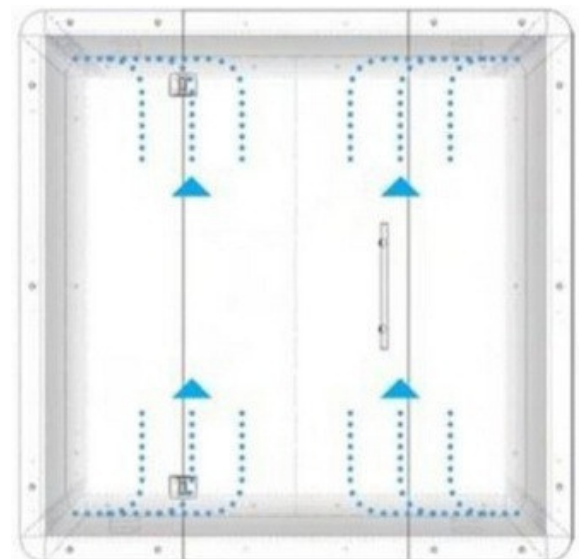
Galvanized steel frames
Sound insulation in all cavities

Finishes

D-pull handle
TFL surface
CARB certified (zero/low formaldehyde emissions)
Aluminum hardware painted

Carpet

Shaw Commercial Philadelphia Ayers Hall II or equal
Solution dyed polypropylene 28 oz, 10 gauge
GreenGuard certified GLP8472 <450 NBS smoke



*Air Flow Diagram



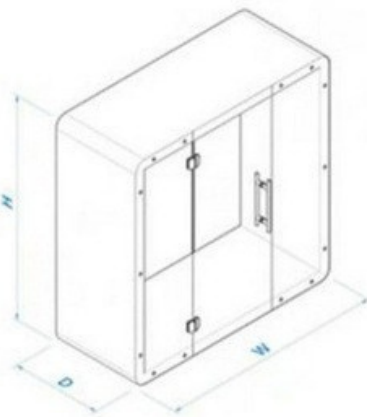


Because Privacy Matters



Kubebooth Technical Data Sheet - Kwe

Extendable



Easy to Install

Size Overall - W: 88" - D: 37" - H: 88"
Inside - W: 80" - D: 36" - H: 80"

Weight
1200 lbs/544 kg

Glass
10mm clear tempered
Ceramic painted borders
Door - H: 88" x W: 32"
Rear Panels - H: 88" x W: 44"
Front Side Panels - H: 88" x W: 28"

Reversible Door
Fully interchangeable left or right opening

Worktop
White or Black laminate wood worktop
D shape L: 24" x W: 24"
Installed at an optimum height of 28"

Felt
Interior sound absorption panels 60% recyclable

Options
Seismic bracing
One touch LCD control panel
LCD TV mount bracing
White glass board - W: 34" x L: 30"
Personalized company branding
Ethernet ports
Bluetooth speaker
Frosted film glass
External fire extinguisher unit
Smart lock
Occupancy lights

Wall Construction
Galvanized steel frames
Sound insulation in all cavities

Finishes
D-pull handle
TFL surface
CARB certified
(zero/low formaldehyde emissions)
Aluminum hardware painted

Carpet
Shaw Commercial Philadelphia Ayers Hall II or equal
Solution dyed polypropylene 28 oz, 10 gauge
GreenGuard certified GLP8472
<450 NBS smoke

Floor Ceiling
Substructure-rated MDF on unitized steel base.

Moveable

Acoustics
NIC rating of 36 dB certified
Noise cancellation technology

Air Exchange
100 complete air changes per hour

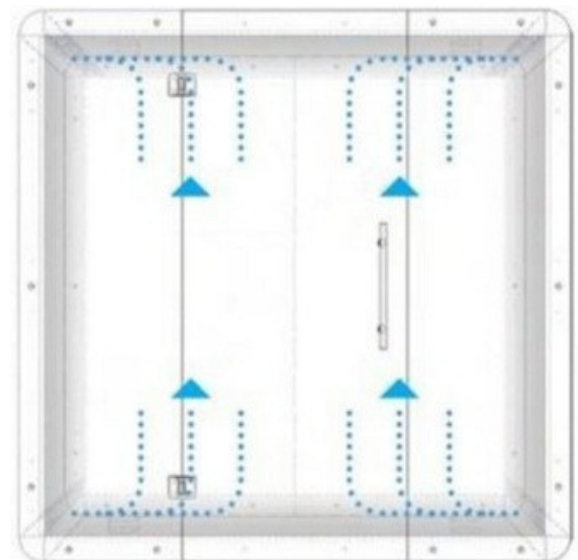
Data Center
UL approved
1 USB A port, 1 USB C port
2 Simplex outlets
Motion detector (controls light & fan)

Plug & Play

Mobility Kit
Includes casters with fasteners

Light
12V LED light bar with magnet
570mm/pcs super light bar, 3500K, 12VDC

Sprinkler
Pre-engineered knockout hole for 3rd party sprinkler installation
Power Cord
10ft cord 120V/15Amp



*Air Flow Diagram



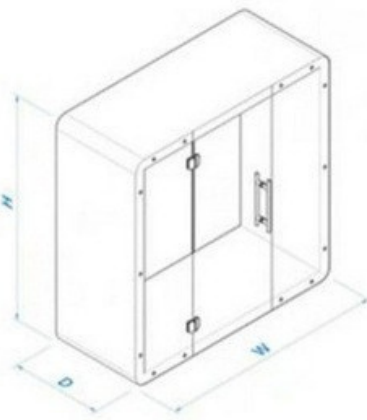


Because Privacy Matters



Kubebooth Technical Data Sheet - Kwe Plus

Extendable



Easy to Install

Size Overall - W: 88" - D: 48" - H: 88"
Inside - W: 80" - D: 47" - H: 80"

Weight

1525 lbs/ 692 kg

Glass

10mm clear tempered
Ceramic painted borders
Door - H: 88" x W: 32"
Rear Panels - H: 88" x W: 44"
Front Side Panels - H: 88" x W: 28"

Reversible Door

Fully interchangeable left or right opening

Worktop

White or Black laminate wood worktop
D shape L: 31" x W:24"
Installed at an optimum height of 28"

Felt

Interior sound absorption panels 60% recyclable

Options

Seismic bracing
One touch LCD control panel
LCD TV mount bracing
White glass board - W: 34" x L: 30"
Personalized company branding
Ethernet ports
Bluetooth speaker
Frosted film glass
External fire extinguisher unit
Smart lock
Occupancy lights

Moveable

Acoustics

NIC rating of 36 dB certified
Noise cancellation technology

Air Exchange

100 complete air changes per hour

Data Center

UL approved
1 USB A port, 1 USB C port
2 Simplex outlets
Motion detector (controls light & fan)

Plug & Play

Mobility Kit

Includes casters with fasteners

Light

12V LED light bar with magnet
570mm/pcs super light bar, 3500K, 12VDC

Sprinkler

Pre-engineered knockout hole for 3rd party sprinkler installation

Power Cord

10ft cord 120V/15Amp

Wall Construction

Galvanized steel frames
Sound insulation in all cavities

Finishes

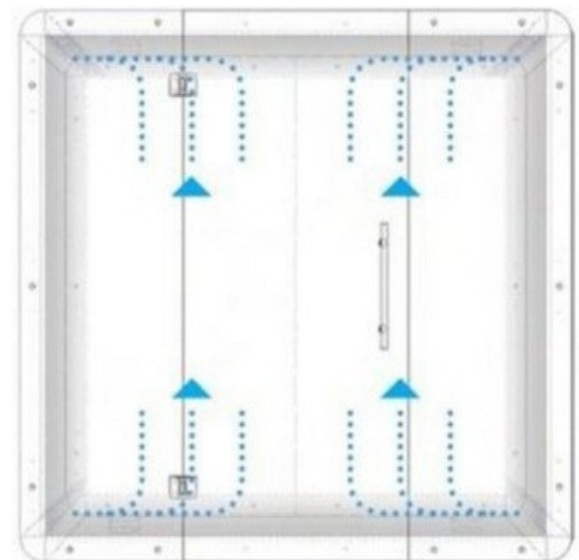
D-pull handle
TFL surface
CARB certified
(zero/low formaldehyde emissions)
Aluminum hardware painted

Carpet

Shaw Commercial Philadelphia Ayers Hall II or equal
Solution dyed polypropylene 28 oz, 10 gauge
GreenGuard certified GLP8472
<450 NBS smoke

Floor Ceiling

Substructure-rated MDF on unitized steel base.



*Air Flow Diagram



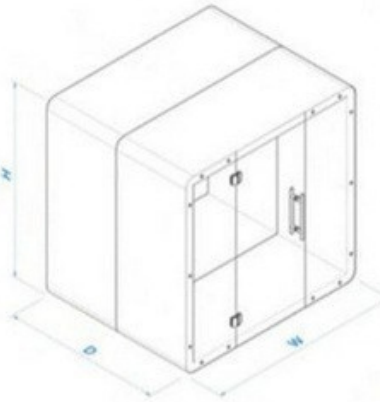


Because Privacy Matters



Kubebooth Technical Data Sheet - Kteam 4

Extendable



Easy to Install

Size Overall - W: 88" - D: 73" - H: 88"
88" Inside - W: 80" - D: 72" - H: 80"

Weight
1800 lbs/816 kg

Glass
10mm clear tempered
Ceramic painted borders
Door - H: 88" x W: 36"
Rear Panels - H: 88" x W: 44"
Front Side Panels - H: 88" x W: 28"

Reversible Door
Fully interchangeable left or right opening

Worktop
White or Black laminate wood worktop
D Shape L: 45" x W: 24"
Installed at an optimum height of 28"

Felt
Interior sound absorption panels
60% recyclable

Options
Seismic bracing
One touch LCD control panel
LCD TV mount bracing
White glass board - W: 34" x L: 30"
Personalized company branding
Ethernet ports
Bluetooth speaker
Frosted film glass
External fire extinguisher unit
Smart lock
Occupancy lights

Wall Construction
Galvanized steel frames
Sound insulation in all cavities

Finishes
D-pull handle
TFL surface
CARB certified
(zero/low formaldehyde emissions)
Aluminum hardware painted

Carpet
Shaw Commercial Philadelphia
Ayers Hall II or equal
Solution dyed polypropylene 28 oz, 10 gauge
GreenGuard certified GLP8472
<450 NBS smoke

Floor Ceiling
Substructure-rated MDF on unitized steel base.

Moveable

Acoustics
NIC rating of 36 dB certified
Noise cancellation technology

Air Exchange
100 complete air changes per hour

Data Center
UL approved
1 USB A port, 1 USB C port
2 Simplex outlets
Motion detector (controls light & fan)

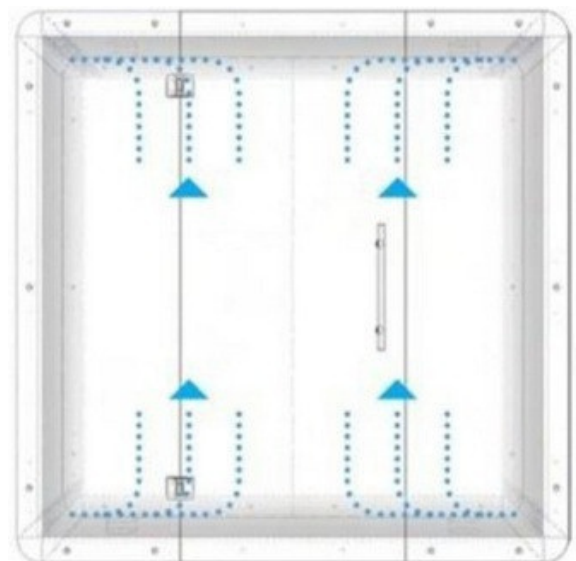
Plug & Play

Mobility Kit
Includes casters with fasteners

Light
12V LED light bar with magnet
570mm/pcs super light bar, 3500K, 12VDC

Sprinkler
Pre-engineered knockout hole for 3rd party sprinkler installation

Power Cord
10ft cord 120V/15Amp



*Air Flow Diagram



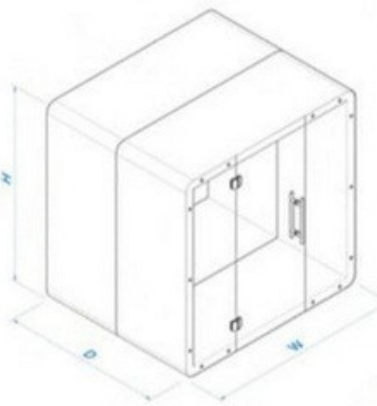


Because Privacy Matters



Kubebooth Technical Data Sheet - Kteam 6

Extendable



Easy to Install

Size
Overall - W: 88" - D: 109" - H: 88"
Inside - W: 80" - D: 108" - H: 80"

Weight
2400 lbs/1089 kg

Glass
10mm clear tempered
Ceramic painted borders
Door - H: 88" x W: 32"
Rear Panels - H: 88" x W: 44"
Front Side Panels - H: 88" x W: 28"

Moveable

Acoustics
NIC rating of 36 dB certified
Noise cancellation technology

Air Exchange
100 complete air changes per hour

Data Center
UL approved
1 USB A port, 1 USB C port
2 Simplex outlets
Motion detector (controls light & fan)

Plug & Play

Mobility Kit
Includes casters with fasteners

Light
12V LED light bar with magnet
570mm/pcs super light bar, 3500K, 12VDC

Sprinkler
Pre-engineered knockout hole for 3rd party sprinkler installation
Power Cord
10ft cord 120V/15Amp

Wall Construction
Galvanized steel frames
Sound insulation in all cavities

Finishes
D-pull handle
TFL surface
CARB certified
(zero/low formaldehyde emissions)
Aluminum hardware painted

Carpet
Shaw Commercial Philadelphia
Ayers Hall II or equal
Solution dyed polypropylene 28 oz, 10 gauge
GreenGuard certified GLP8472
<450 NBS smoke

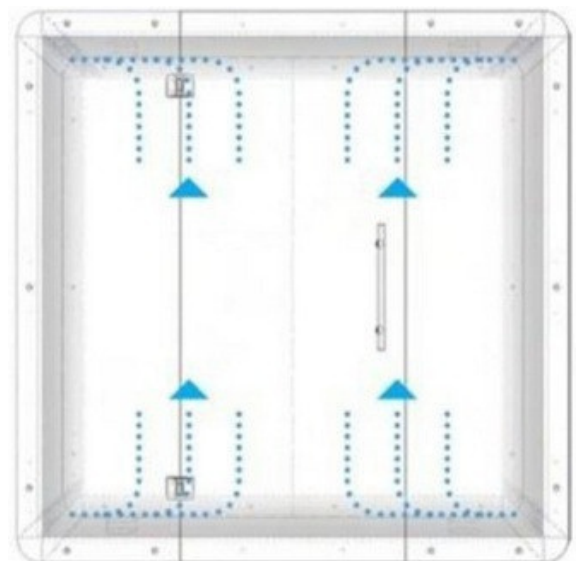
Floor Ceiling
Substructure-rated MDF on unitized steel base.

Reversible Door
Fully interchangeable left or right opening

Worktop
White or Black laminate wood worktop
D Shape

Felt
Interior sound absorption panels
60% recyclable

Options
Seismic bracing
One touch LCD control panel
LCD TV mount bracing
White glass board - W: 34" x L: 30"
Personalized company branding
Ethernet ports
Bluetooth speaker
Frosted film glass
External fire extinguisher unit
Smart lock
Occupancy lights



*Air Flow Diagram





Because Privacy Matters

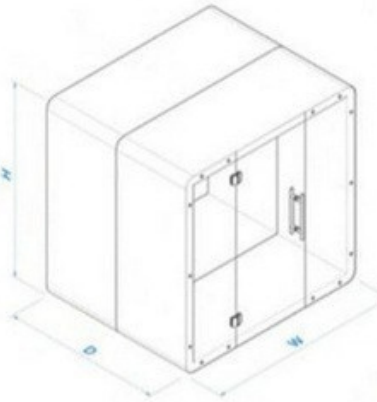


Kubebooth Technical Data Sheet - Kteam 8

Easy to Install

Moveable

Plug & Play



Size

Overall - W: 88" - D: 145" - H: 88"
Inside - W: 80" - D: 144" - H: 80"

Weight

3000 lbs/1361 kg

Glass 10mm clear tempered
Ceramic painted borders
Door - H: 88" x W: 32"
Rear Panels - H: 88" x W: 44"
Front Side Panels - H: 88" x W: 28"

Wall Construction

Galvanized steel frames
Sound insulation in all cavities

Finishes

D-pull handle
TFL surface
CARB certified
(zero/low formaldehyde emissions)
Aluminum hardware painted

Carpet

Shaw Commercial Philadelphia
Ayers Hall II or equal
Solution dyed polypropylene 28
oz, 10 gauge
GreenGuard certified GLP8472
<450 NBS smoke

Floor Ceiling

Substructure-rated MDF on unitized steel
base.

Acoustics

NIC rating of 36 dB certified
Noise cancellation technology

Air Exchange

100 complete air changes per hour

Data Center

UL approved
1 USB A port, 1 USB C port
2 Simplex outlets
Motion detector (controls light &
fan)

Mobility Kit

Includes casters with fasteners

Light

12V LED light bar with magnet
570mm/pcs super light bar, 3500K,
12VDC

Sprinkler

Pre-engineered knockout hole for 3rd
party sprinkler installation
Power Cord
10ft cord 120V/15Amp

Reversible Door Fully interchangeable left
or right opening

Worktop

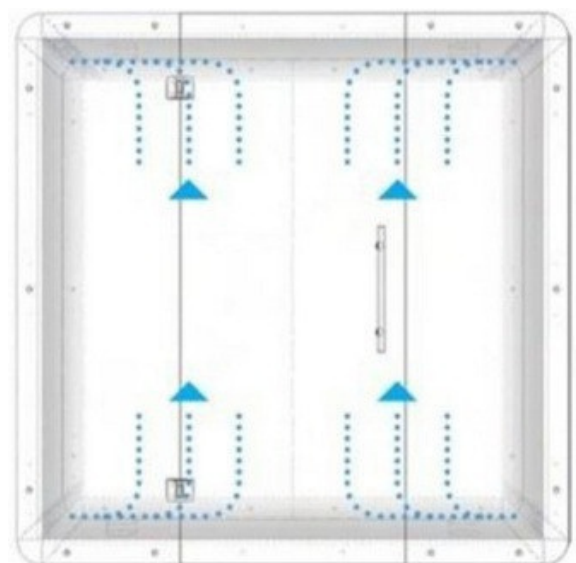
White or Black laminate wood worktop
D Shape

Felt

Interior sound absorption panels
60% recyclable

Options

Seismic bracing
One touch LCD control panel
LCD TV mount bracing
White glass board - W: 34" x L: 30"
Personalized company branding
Ethernet ports
Bluetooth speaker
Frosted film glass
External fire extinguisher unit
Smart lock
Occupancy lights



*Air Flow Diagram





Because Privacy Matters



Kubebooth Technical Data Sheet - KSelfi Floorless



Easy to Install

Size
Overall - W: 44" - D: 37" - H: 88"
Inside - W: 36" - D: 36" - H: 84"

Weight
750 lbs/340 kg

Glass
10mm clear tempered
Door - H: 88" x W: 32"
Rear Panel - H: 88" x W: 44"
Front Side Panel - H: 88" x W: 12"

Plug & Play

Acoustics
Class A noise reduction

Air Exchange
100 complete air changes per hour

Data Center
UL approved
1 USB A port, 1 USB C port
2 Simplex outlets
Motion detector (controls light & fan)

Light
12V LED light bar with magnet
570mm/pcs super light bar, 3500K, 12VDC

Sprinkler
Pre-engineered knockout hole for 3rd party sprinkler installation

Power Cord
10ft cord 120V/15Amp

Wall Construction
Galvanized steel frames
Sound insulation in all cavities

Door Lock
Patch fit low noise- silent latch

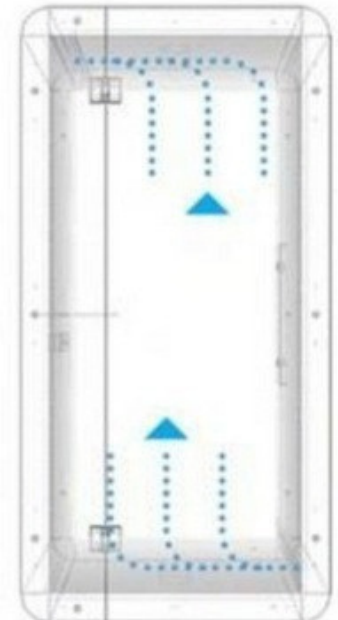
Finishes
TFL surface
CARB certified (zero/low formaldehyde emissions)
Aluminum hardware painted

Reversible Door
Fully interchangeable left or right opening

Worktop
White or Black laminate wood worktop
W: 20" x L: 12"
Installed at an optimum height of 40"

Felt
Interior sound absorption panels
60% recyclable

Options
Seismic bracing
One touch LCD control panel LCD TV mount
bracing White glass board - W: 34" x L: 30"
Personalized company branding
Ethernet ports
Bluetooth speaker
Frosted film glass
External fire extinguisher unit
Occupancy lights



*Air Flow Diagram

Note: For your safety and optimal performance, this phone booth must be securely drilled to the floor during installation.





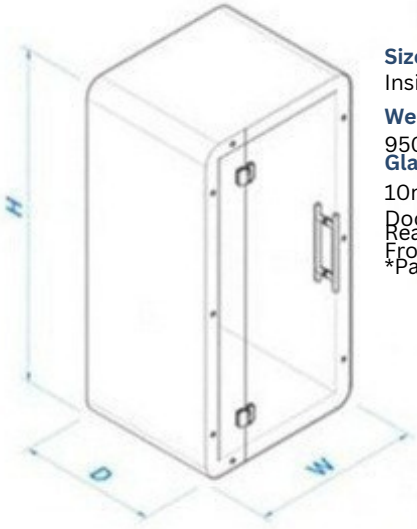
Because Privacy Matters



Kubebooth Technical Data Sheet - KSelfi Plus Floorless

Easy to Install

Plug & Play



Size Overall - W: 56" - D: 48" - H: 88"
Inside - W: 48" - D: 47" - H: 84"

Weight

950 lbs/431 kg

Glass

10mm clear tempered

Door - H: 88" x W: 32"

Rear Panel - H: 88" x W: 44"

Front Side Panels - H: 88" x W: 12"

*Panel includes 2 piece glass

Acoustics

Class A noise reduction

Air Exchange

100 complete air changes per hour

Data Center

UL approved

1 USB A port, 1 USB C port,

2 Simplex outlets

Motion detector (controls light & fan)

Light

12V LED light bar with magnet

570mm/pcs super light bar, 3500K,

12VDC

Sprinkler

Pre-engineered knockout hole for 3rd party sprinkler installation

Door Lock

Patch fit low noise- silent latch

Reversible Door

Fully interchangeable left or right opening

Felt

Interior sound absorption panels

60% recyclable

Options

Seismic bracing

One touch LCD control panel

LCD TV mount bracing

White glass board - W: 34" x L: 30"

Personalized company branding

Ethernet ports

Bluetooth speaker

Frosted film glass

External fire extinguisher unit

Occupancy lights

Power Cord

10ft cord 120V/15Amp

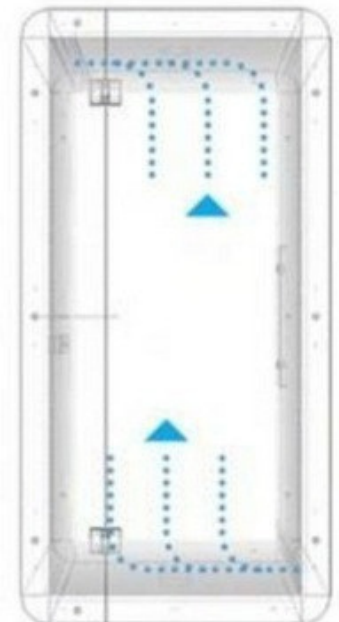
Wall Construction

Galvanized steel frames

Sound insulation in all cavities

Finishes

TFL surface CARB certified (zero/low formaldehyde emissions) Aluminum hardware painted



*Air Flow Diagram

Note: For your safety and optimal performance, this pod must be securely drilled to the floor during installation.

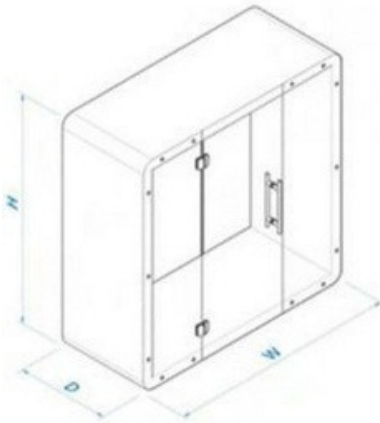




Because Privacy Matters



Kubebooth Technical Data Sheet - Kme Floorless



Easy to Install

Size
Overall - W: 88" - D: 37" - H: 88"
Inside - W: 80" - D: 36" - H: 84"

Weight
1100 lbs/500 kg

Glass
10mm clear tempered
Door - H: 88" x W: 32"
Rear Panel - H: 88" x W: 44"
Front Side Panels - H: 88" x W: 28"

Plug & Play

Acoustics
Class A noise reduction

Air Exchange
100 complete air changes per hour

Data Center
UL approved
1 USB A port, 1 USB C port
2 Simplex outlets
Motion detector (controls light & fan)

Light
12V LED light bar with magnet
570mm/pcs super light bar, 3500K, 12VDC

Sprinkler
Pre-engineered knockout hole for 3rd party sprinkler installation

Power Cord
10ft cord 120V/15Amp

Wall Construction
Galvanized steel frames
Sound insulation in all cavities

Door Lock
Patch fit low noise- silent latch

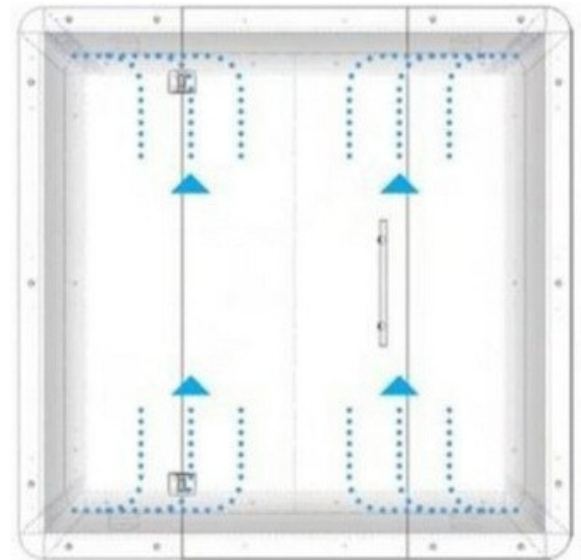
Finishes

TFL surface
CARB certified
(zero/low formaldehyde emissions)
Aluminum hardware painted

Reversible Door
Fully interchangeable left or right opening

Felt
Interior sound absorption panels
60% recyclable

Options
Seismic bracing
One touch LCD control panel
LCD TV mount bracing
White glass board - W: 34" x L: 30"
Personalized company branding
Ethernet ports
Bluetooth speaker
Frosted film glass
External fire extinguisher unit
Occupancy lights



*Air Flow Diagram

Note: This privacy pod requires drilling to the floor as part of standard installation to ensure structural stability and user safety.





Because Privacy Matters



Kubebooth Technical Data Sheet - Kme Plus Floorless

Easy to Install

Size Overall - W: 88" - D: 48" - H: 88"
Inside - W: 80" - D: 47" - H: 84"

Weight
1150 lbs/527 kg

Glass
10mm clear tempered
Door - H: 88" x W: 32"
Rear Panel - H: 88" x W: 44"
Front Side Panels - H: 88" x W: 28"

Wall Construction
Galvanized steel frames
Sound insulation in all cavities

Door Lock
Patch fit low noise- silent latch

Finishes

TFL surface
CARB certified
(zero/low formaldehyde emissions)
Aluminum hardware painted

Reversible Door
Fully interchangeable left or right opening

Felt
Interior sound absorption panels
60% recyclable

Options
Seismic bracing
One touch LCD control panel
LCD TV mount bracing
White glass board - W: 34" x L: 30"
Personalized company branding
Ethernet ports
Bluetooth speaker
Frosted film glass
External fire extinguisher unit
Occupancy lights

Plug & Play

Acoustics
Class A noise reduction

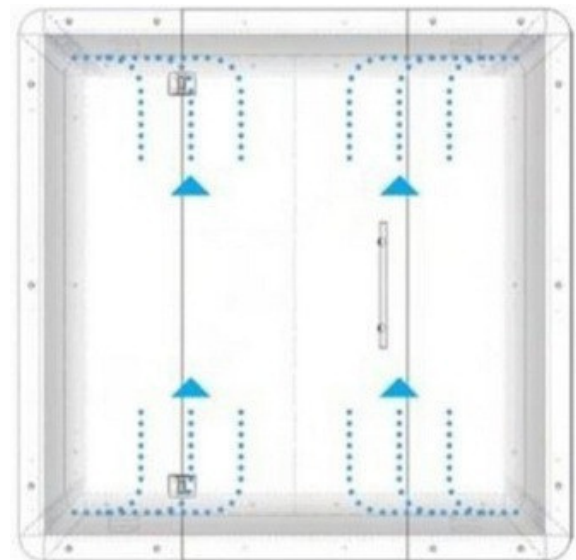
Air Exchange
100 complete air changes per hour

Data Center
UL approved
1 USB A port, 1 USB C port
2 Simplex outlets
Motion detector
(controls light & fan)

Light
12V LED light bar with magnet
570mm/pcs super light bar, 3500K,
12VDC

Sprinkler
Pre-engineered knockout hole for 3rd party sprinkler installation

Power Cord
10ft cord 120V/15Amp



*Air Flow Diagram

Note: This privacy pod requires drilling to the floor as part of standard installation to ensure structural stability and user safety.





Because Privacy Matters



Kubebooth Technical Data Sheet - Kwe Floorless

Extendable

Easy to Install

Plug & Play

Size Overall - W: 88" - D: 37" - H: 88"
Inside - W: 80" - D: 36" - H: 84"

Weight
1100 lbs/500 kg

Glass

10mm clear tempered
Door - H: 88" x W: 32"
Rear Panels - H: 88" x W: 44"
Front Side Panels - H: 88" x W: 28"

Reversible Door

Fully interchangeable left or right opening
Worktop
White or Black laminate wood worktop
D shape L: 24" x W: 24"
Installed at an optimum height of 28"

Felt

Interior sound absorption panels
60% recyclable

Options

Seismic bracing
One touch LCD control panel
LCD TV mount bracing
White glass board - W: 34" x L: 30"
Personalized company branding
Ethernet ports
Bluetooth speaker
Frosted film glass
External fire extinguisher unit
Door lock
Occupancy lights

Acoustics

Class A noise reduction

Air Exchange

100 complete air changes per hour

Data Center

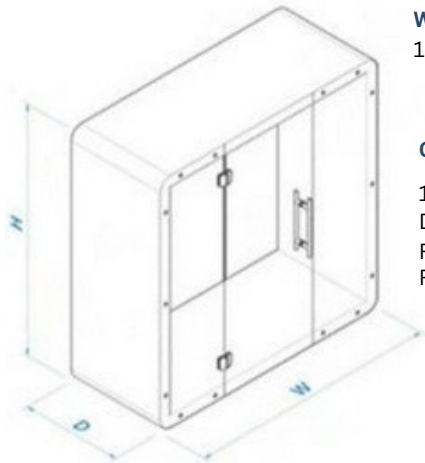
1 USB A port, 1 USB C port
2 Simplex outlets
Motion detector (controls light & fan)

Light

12V LED light bar with magnet
570mm/pcs super light bar, 3500K, 12VDC

Sprinkler Pre-engineered knockout hole for 3rd party sprinkler installation

Power Cord
10ft cord 120V/15Amp



Door Lock

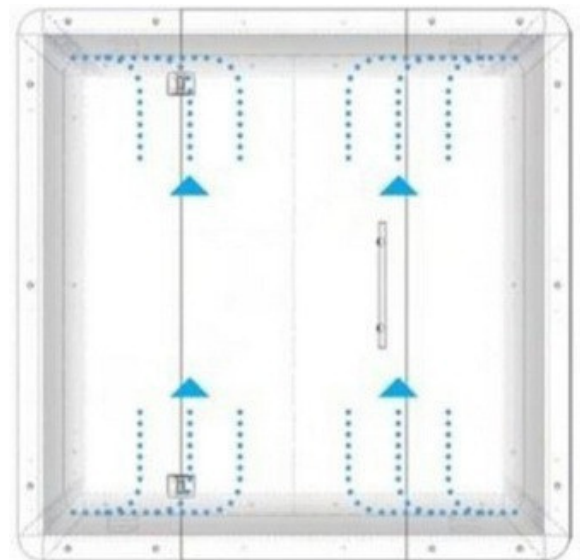
Patch fit low noise- silent latch

Wall Construction

Galvanized steel frames
Sound insulation in all cavities

Finishes

TFL surface
CARB certified
(zero/low formaldehyde emissions)
Aluminum hardware painted



*Air Flow Diagram

Note: This meeting pod must be drilled to the floor to maintain structural integrity and ensure user safety.





Because Privacy Matters



Kubebooth Technical Data Sheet - Kwe Plus Floorless

Extendable

Easy to Install

Plug & Play

Size Overall - W: 88" - D: 48" - H: 88"
Inside - W: 80" - D: 47" - H: 84"

Weight
1150 lbs/527 kg

Glass
10mm clear tempered
Door - H: 88" x W: 32"
Rear Panels - H: 88" x W: 44"
Front Side Panels - H: 88" x W: 28"

Acoustics
Class A noise reduction

Air Exchange
100 complete air changes per hour

Data Center
UL approved
1 USB A port, 1 USB C port
2 Simplex outlets
Motion detector (controls light & fan)

Light
12V LED light bar with magnet
570mm/pcs super light bar, 3500K, 12VDC

Sprinkler Pre-engineered knockout hole for 3rd party sprinkler installation
Power Cord
10ft cord 120V/15Amp

Reversible Door Fully interchangeable left or right opening

Worktop
White or Black laminate wood worktop
D shape L: 31" x W:24"
Installed at an optimum height of 28"

Options Seismic bracing One touch LCD control panel
LCD TV mount bracing
White glass board - W: 34" x L: 30"
Personalized company branding
Ethernet ports
Bluetooth speaker
Frosted film glass
External fire extinguisher unit
Door lock
Occupancy lights

Door Lock

Patch fit low noise- silent latch

Wall Construction

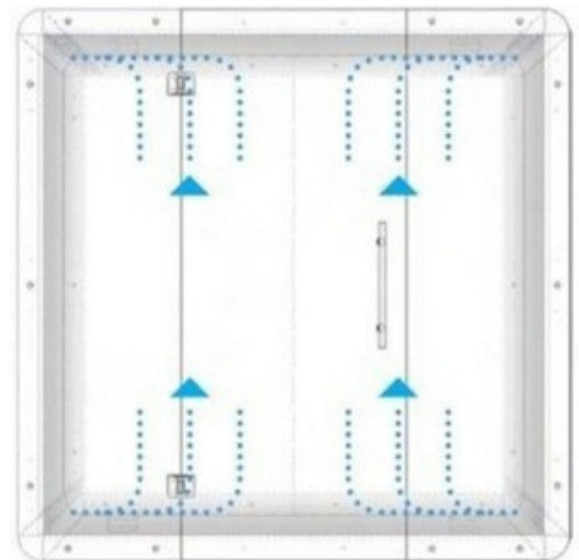
Galvanized steel frames
Sound insulation in all cavities

Felt

Interior sound absorption panels
60% recyclable

Finishes

TFL surface
CARB certified (zero/low formaldehyde emissions)
Aluminum hardware painted



*Air Flow Diagram

Note: This meeting pod must be drilled to the floor to maintain structural integrity and ensure user safety.





Because Privacy Matters



Kubebooth Technical Data Sheet - Kteam 4 Floorless

Extendable

Easy to Install

Plug & Play

Size

Overall - W: 88" - D: 73" - H: 88"
Inside - W: 80" - D: 72" - H: 84"

Weight

1600 lbs/726 kg

Glass 10mm clear tempered

Door - H: 88" x W: 36"
Rear Panels - H: 88" x W: 44"
Front Side Panels - H: 88" x W: 28"

Acoustics

Class A noise reduction

Air Exchange

100 complete air changes per hour

Data Center

UL approved
1 USB A port, 1 USB C port
2 Simplex outlets
Motion detector (controls light & fan)

Light

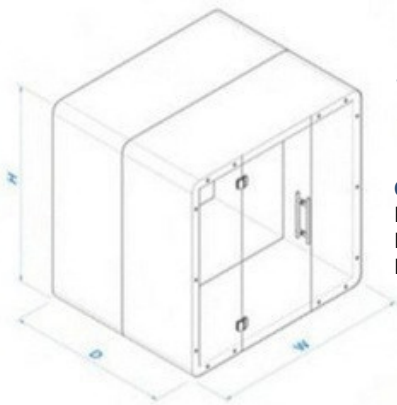
12V LED light bar with magnet
570mm/pcs super light bar, 3500K, 12VDC

Sprinkler

Pre-engineered knockout hole for 3rd party sprinkler installation

Power Cord

10ft cord 120V/15Amp



Reversible Door Fully interchangeable left or right opening

Worktop

White or Black Laminate wood D shape
worktop L: 45" x W: 24"
Installed at an optimum height of 28"

Options

Seismic bracing
One touch LCD control panel
LCD TV mount bracing
White glass board - W: 34" x L: 30"
Personalized company branding
Ethernet ports
Bluetooth speaker
Frosted film glass
External fire extinguisher unit
Door lock
Occupancy lights

Wall Construction

Galvanized steel frames
Sound insulation in all cavities

Finishes

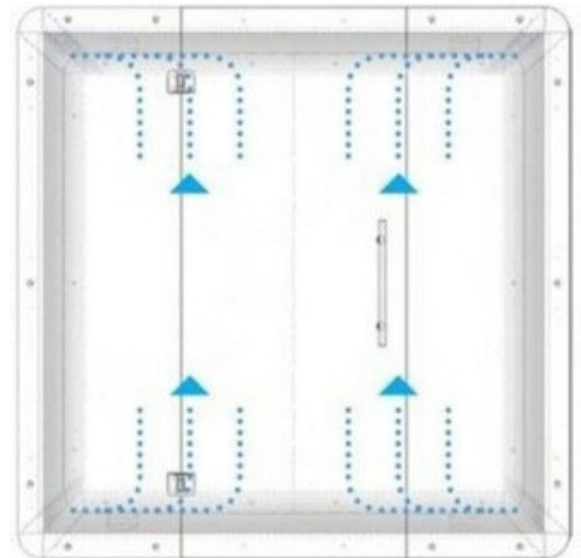
TFL surface CARB certified
(zero/low formaldehyde emissions)
Aluminum hardware painted

Felt

Interior sound absorption panels
60% recyclable

Door Lock

Patch fit low noise- silent latch



*Air Flow Diagram

Note: This collaborative pod requires drilling to the floor during installation to ensure stability and safety for multiple users.





Because Privacy Matters



Kubebooth Technical Data Sheet - Kteam 6 Floorless

Extendable

Easy to Install

Plug & Play

Size

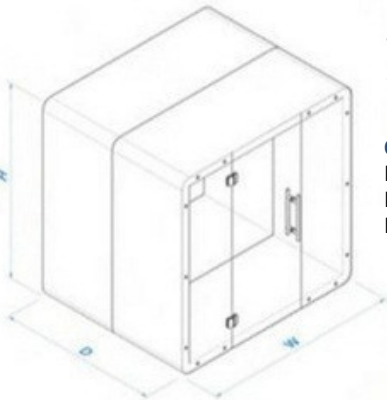
Overall - W: 88" - D: 109" - H: 88"
Inside - W: 80" - D: 108" - H: 84"

Weight

2100 lbs/953 kg

Glass 10mm clear tempered

Door - H: 88" x W: 32"
Rear Panels - H: 88" x W: 44"
Front Side Panels - H: 88" x W: 28"



Wall Construction

Galvanized steel frames
Sound insulation in all cavities

Finishes

TFL surface
CARB certified
(zero/low formaldehyde emissions)
Aluminum hardware painted

Door Lock

Patch fit low noise- silent latch

Reversible Door

Fully interchangeable left or right opening

Acoustics

Class A noise reduction

Air Exchange

100 complete air changes per hour

Data Center

UL approved
1 USB A port, 1 USB C port
2 Simplex outlets
Motion detector (controls light & fan)

Light

12V LED light bar with magnet
570mm/pcs super light bar, 3500K, 12VDC

Sprinkler

Pre-engineered knockout hole for 3rd party sprinkler installation

Power Cord

10ft cord 120V/15Amp

Worktop

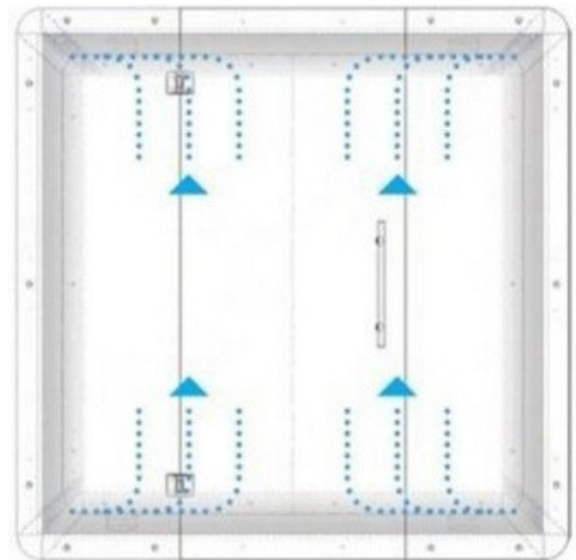
Black or White Laminate wood D shape worktop

Felt

Interior sound absorption panels
60% recyclable

Options

Seismic bracing
One touch LCD control panel
LCD TV mount bracing
White glass board - W: 34" x L: 30"
Personalized company branding
Ethernet ports
Bluetooth speaker
Frosted film glass
External fire extinguisher unit
Door lock
Occupancy lights



*Air Flow Diagram

Note: This collaborative pod requires drilling to the floor during installation to ensure stability and safety for multiple users.





Because Privacy Matters



Kubebooth Technical Data Sheet - Kteam 8 Floorless

Easy to Install

Plug & Play

Size

Overall - W: 88" - D: 145" - H: 88"
Inside - W: 80" - D: 144" - H: 84"

Weight

2600 lbs/1180 kg

Glass 10mm clear tempered

Door - H: 88" x W: 32"
Rear Panels - H: 88" x W: 44"
Front Side Panels - H: 88" x W: 28"

Acoustics

Class A noise reduction

Air Exchange

100 complete air changes per hour

Data Center

UL approved
1 USB A port, 1 USB C port
2 Simplex outlets
Motion detector (controls light & fan)

Light

12V LED light bar with magnet
570mm/pcs super light bar, 3500K, 12VDC

Sprinkler

Pre-engineered knockout hole for 3rd party sprinkler installation

Power Cord

10ft cord 120V/15Amp



Reversible Door

Fully interchangeable left or right opening

Worktop

Black or White laminate wood D shape worktop

Felt

Interior sound absorption panels
60% recyclable

Options

Seismic bracing
One touch LCD control panel
LCD TV mount bracing
White glass board - W: 34" x L: 30"
Personalized company branding
Ethernet ports
Bluetooth speaker
Frosted film glass
External fire extinguisher unit
Door lock
Occupancy lights

Wall Construction

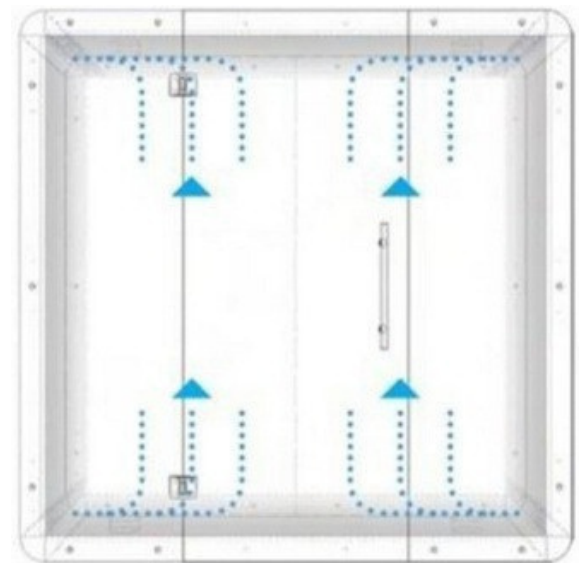
Galvanized steel frames
Sound insulation in all cavities

Finishes

TFL surface
CARB certified
(zero/low formaldehyde emissions)
Aluminum hardware painted

Door Lock

Patch fit low noise- silent latch



*Air Flow Diagram

Note: This collaborative pod requires drilling to the floor during installation to ensure stability and safety for multiple users.

